

18361B2

# Service Manual

Inhoud	Pag.
Knopfuncties	2
Specificatie	2
Blokschema	3,4
Printenoverzicht	5,6
VOCUM { schema + print	7,8,9
{ foutzoekmethodiek	10,11
{ schemabeschrijving	12,13,14
HF-AM schema	15,16
HF-print	17,18
HF-FM schema	19,20
Afregeling HF	21,22,23,24
Voeding	25
FM-tuner	26
Toonregeling	27,28,29,30
Ingangsschakeling	31,32
Stuurversterker	33,34
Eindversterker	35,36,37,38
Snaarloop	38
Bedrading	39,40,41
Mechanische stuklijst + exploded view	42,43,44
Electrische stuklijst	45,46,47

1 Loudness	SK-C	25 Voorkeuze-zoeker	D6650
2 Volume	R1293/1294	Luidsprekersysteem schakelaars	
3 Balans	R1291/1292	26 Systeem A	SK-N
4 Audio-mute	SK-D	27 Systeem B	SK-T,
5 Lage tonen-regelaar	R1297/1298	28 MFB	SK-U
6 Uitschakelaar toonregeling	SK-K	29 Source indicator	D6001
7 Hoge tonen-regelaar	R1299/1300	30 Tape 1/monitor	SK-V
8 Lage tonen filter	SK-G	31 Tape 2/monitor	SK-W
9 Hoge tonen filter	SK-H	32 Tape kopieerschakelaars	SK-X, Y
10 AF-Mono/Stereo	SK-L	33 FM-stereo-indicator	D6003
11 FM-mute	SK-J	34 Antenne aansluiting	BU1,2,3
12 Functie keuze	SK-A	35 Phono ingang	BU4
13 AFC	SK-B	36 Aux. ingang	BU5
14 Afstemming FM	R1048	37 Aardschroef	
AM	C1046,1047	38 Tape 1 - weergave/monitor	BU6
15 Aan/uit	SK-M	39 Tape 1 - opname	BU7
16 Veldsterktemeter	IND. 1020	40 Tape 2 - weergave/monitor	BU8
17 Hoofdtelefoon bus	BU14	41 Tape 2 - opname	BU9
18 DC beveiligingsindicator	D6653	42 Tape 2 - DIN/monitor	BU10
19 FM-afstemindicator	IND. 1019	43 MFB uitgang	BU11
20 FM-voorkeuze	SK-P1...16	44 LS-uitgang systeem B	BU12-BU13
21 FM-voorkeuze display	IND. 1630, 1631	45 LS-uitgang systeem A	BU14-BU15
22 FM-voorkeuzesysteem	SK-R	46 Akoestieschakelaar - 250 Hz-500 Hz	SK-E
23 FM-manual	SK-Q	47 Akoestieschakelaar - 2,5 kHz - 5 kHz	SK-F
24 Voorkeuze-opslag	SK-S	48 Preset systeem indicator	D6651,6652

## SPECIFICATIES

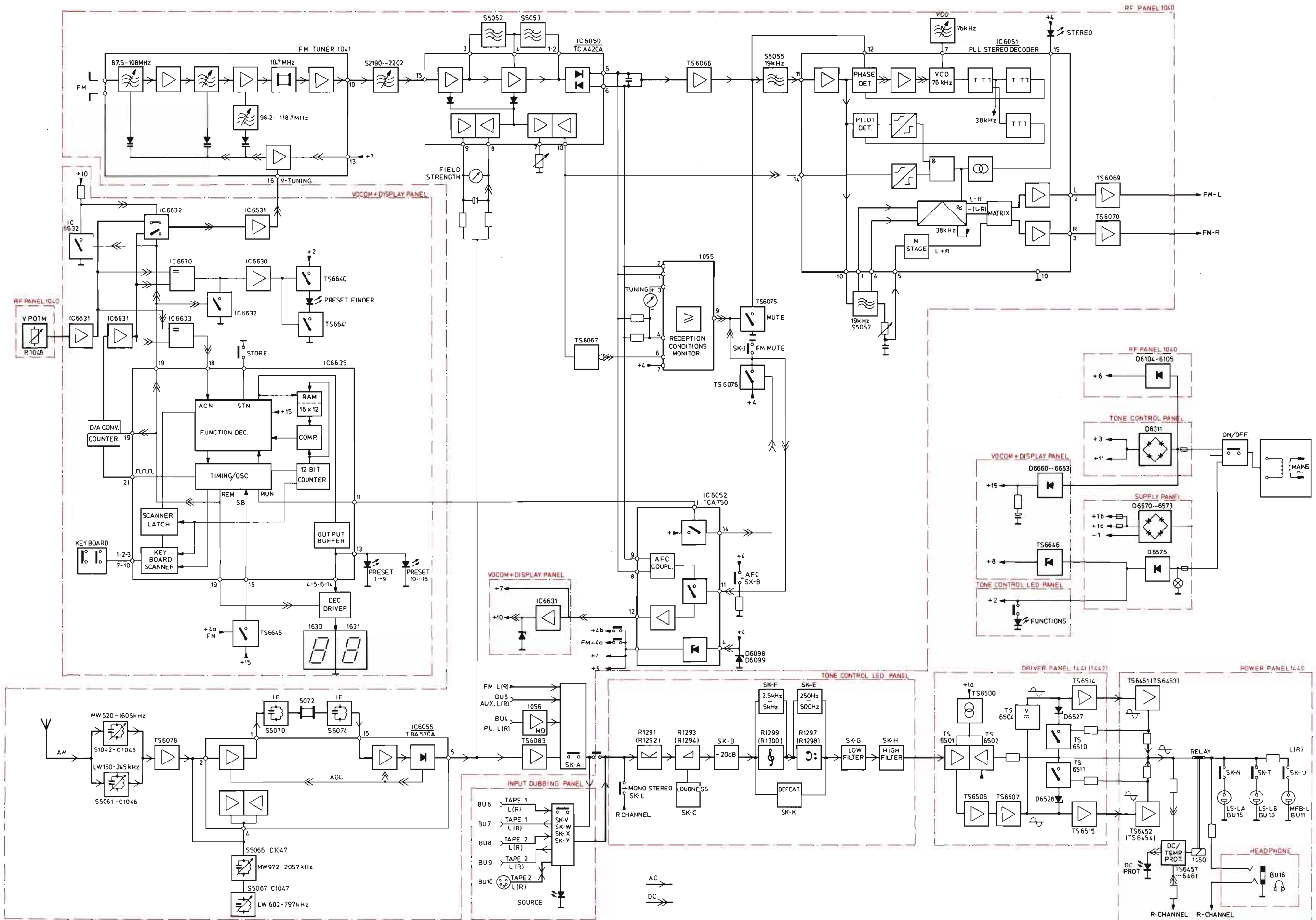
Voedingsspanning	: -/00/12/28 - 220 V~, 50 Hz
	-/15 - 240 V~, 50 Hz
Opgenomen vermogen	: 54 - 320 W
Afmetingen	: 458x350x150 mm
Golfbereik	: FM 87,5 - 108 MHz
	: LG 150 - 345 kHz
	: MG 520 - 1605 kHz
Gevoeligheid (IHF)	: FM mono 0,9 $\mu$ V
	: FM stereo 5 $\mu$ V
Gevoeligheid AM	
26 dB S/N	: 300 $\mu$ V EMK
Ingangsimpedantie	: FM 75 $\Omega$ /300 $\Omega$
	: AM 300 $\Omega$

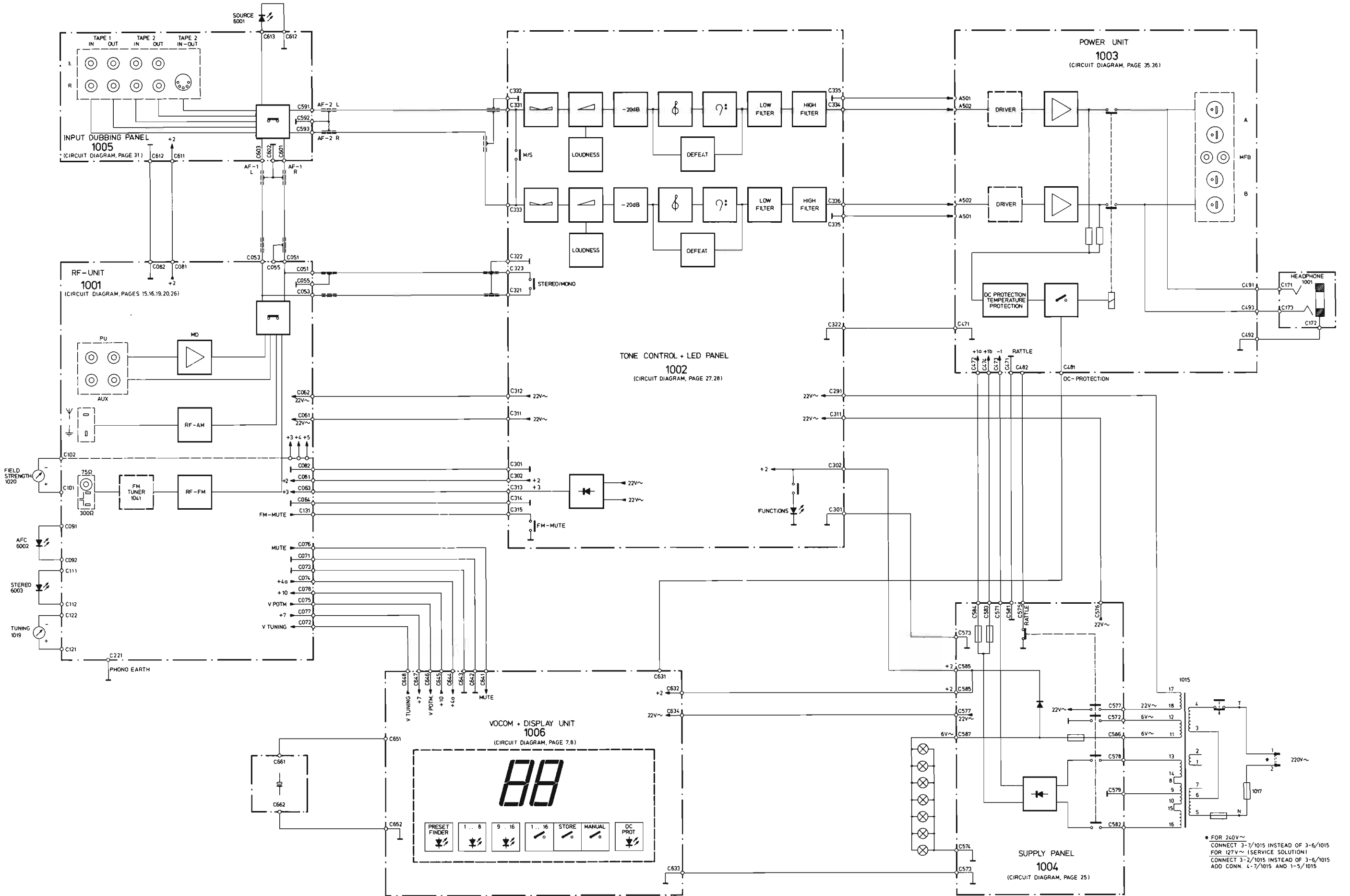
Middenfrequentie	: FM 10.7 MHz
	: AM -/00/15 - 468 kHz
	-/12/28 - 452 kHz

Ingangen (1 kHz):	
Platenspeler	: 2,5 mV/47 k $\Omega$
Tape 1, Tape 2	: 150 mV/100 k $\Omega$
Monitor, AUX	

Uitgangen (1 kHz):	
Tape 1, Tape 2	: 150 mV
Tape 2 DIN	: 13,7 mV/47 k $\Omega$
Luidsprekers (2x2)	: 2x80 W/8 $\Omega$ , D $\leq$ 0,08 %
Hoofdtelefoon	: 8-600 $\Omega$
MFB	: 3 V/300 $\Omega$

Veiligheidsbepalingen vereisen, dat het apparaat bij reparatie in zijn oorspronkelijke toestand wordt teruggebracht en dat onderdelen, identiek aan de gespecificeerde, worden toegepast.

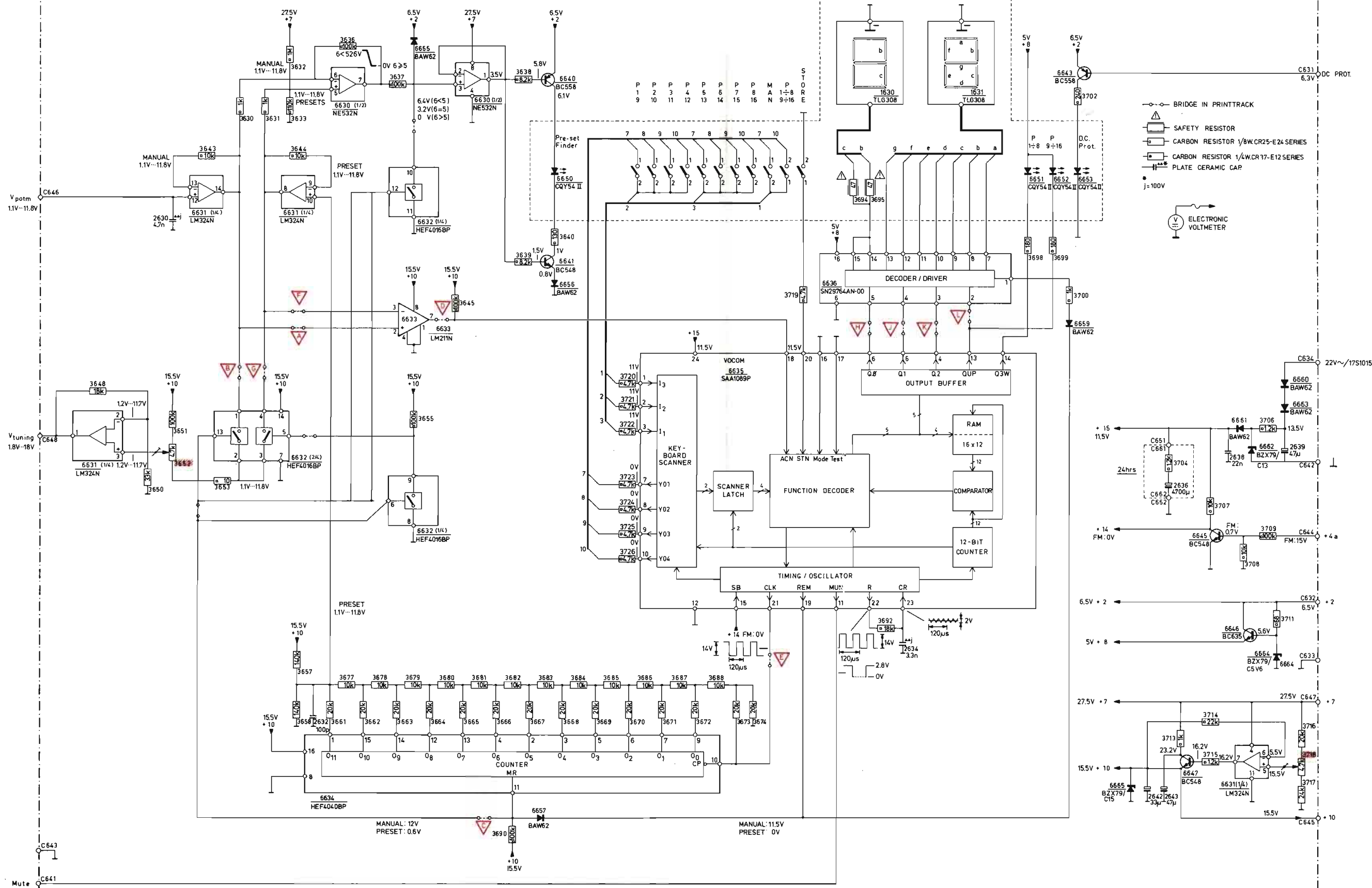




\* FOR 240V~  
 CONNECT 3-7/1015 INSTEAD OF 3-6/1015  
 FOR 127V~ (SERVICE SOLUTION)  
 CONNECT 3-2/1015 INSTEAD OF 3-6/1015  
 ADD CONN. 4-7/1015 AND 1-5/1015

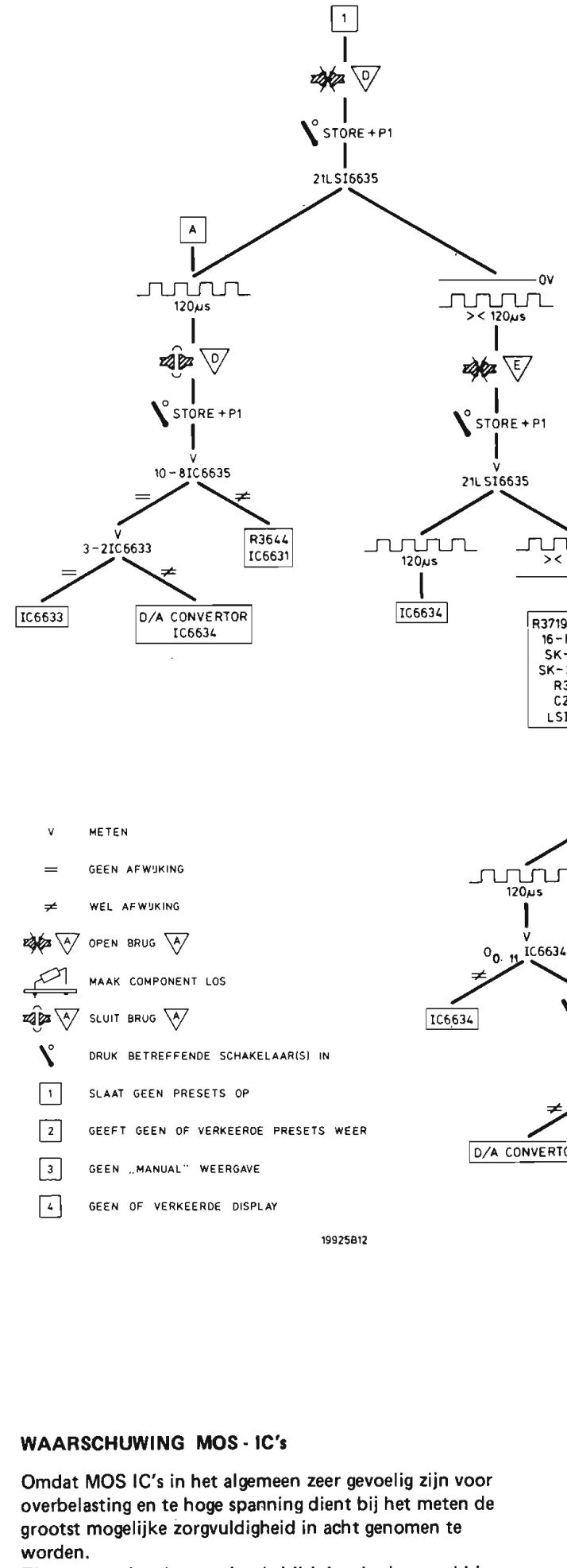
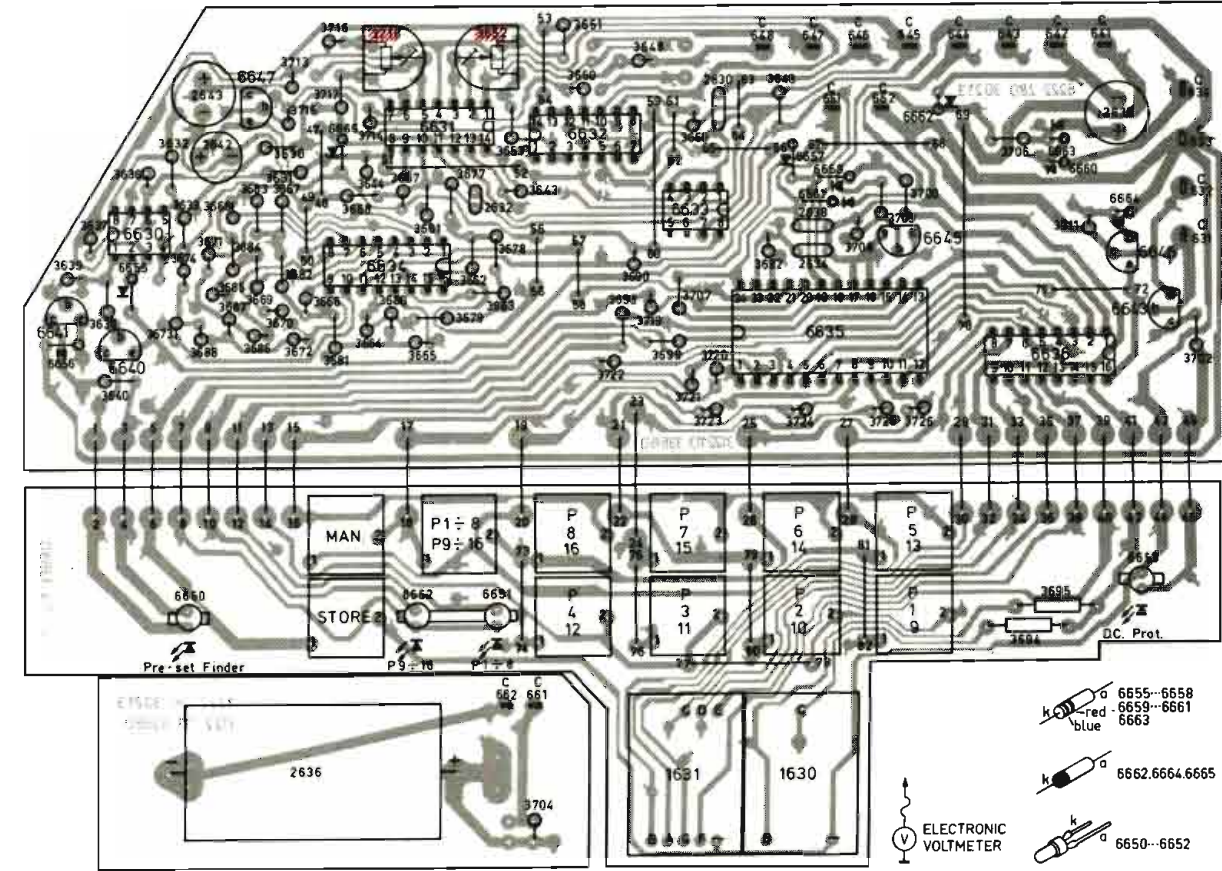
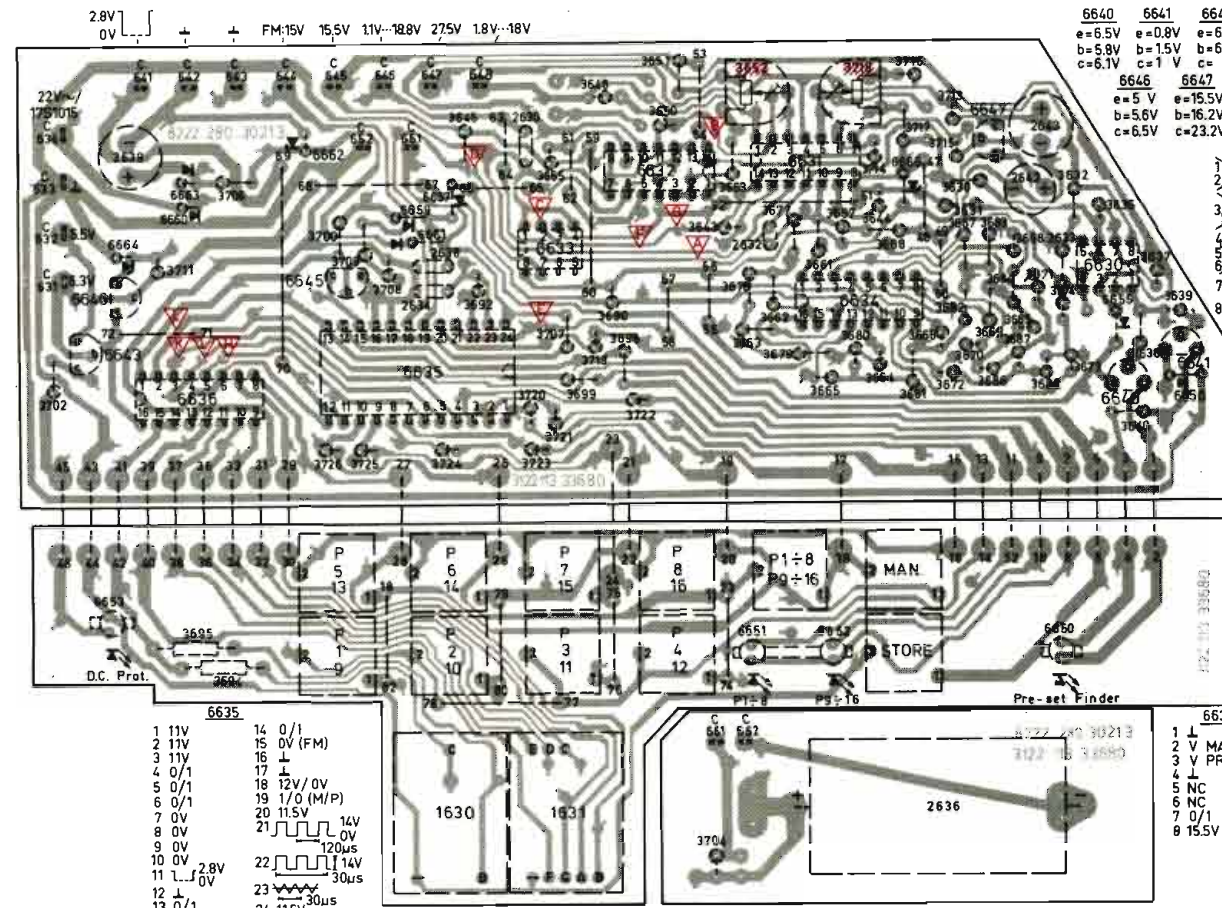
MISC	IC6631	IC6631	IC6632	IC6631	IC6634,IC6630	IC6632,D6655,IC6633	IC6630	TS6640,TS6641,D6650,D6655,D6657	IC6635	IC6636	D1630	D1631	D6651...D6653,D6659,TS6643	D6665	TS6645...TS6647,IC6631	D6660...D6664	
C	2630	2630	2632	2632							2634		2642,2643,2636	2638	2639		
R	3648	3650...3652	3643,3653	3630...3633,3644,3657,3658,3636,3661...3665,3637,3655,3677...3681,3645,3690,3666...3669,3638...3640					3720...3726,3686...3688,3670...3674		3719	3694,3695,3692		3698	3699,3700,3702	3704	3707...3709,3713...3718,3706,3711

1006 VOCOM+DISPLAY PANEL

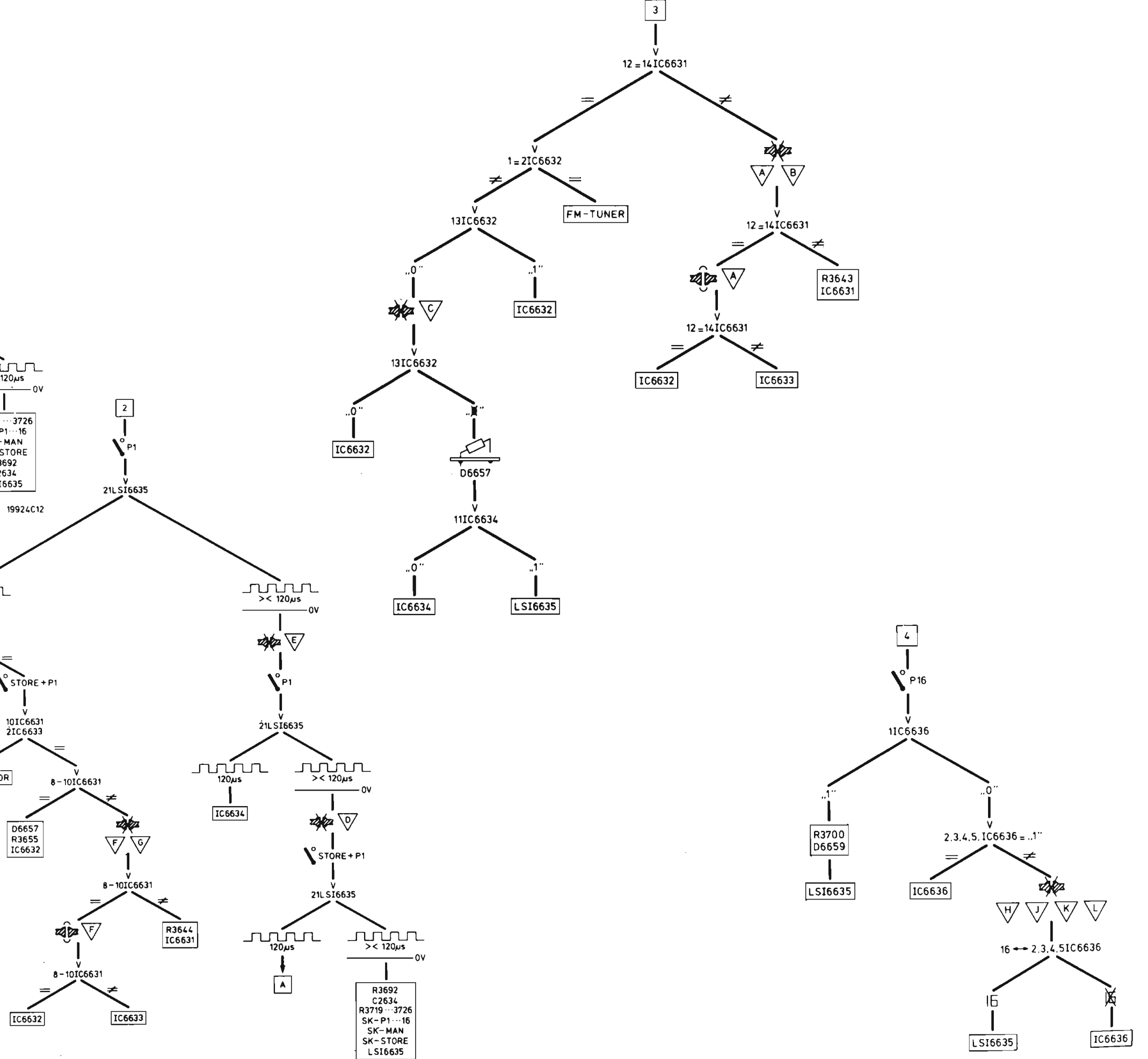




MSC	6643	6653	6646	6664	6660	6653	6636	6662	6645	6635	6659	6661	6657	6633	6632	6651	6631	6652	6634	6655	6647	6650	6630	6655	6640	6641	6656	
C	2639					2634	2630																					
R			3706																									
R			3700	3709	3708			3692																				
R	3702		3711	3695	3694			3726	3725																			



**WAARSCHUWING MOS-IC's**  
Omdat MOS IC's in het algemeen zeer gevoelig zijn voor overbelasting en te hoge spanning dient bij het meten de grootst mogelijke zorgvuldigheid in acht genomen te worden.  
Zie voor verdere instructies de bijsluiter in de verpakking van de IC's.



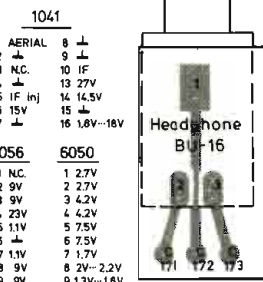
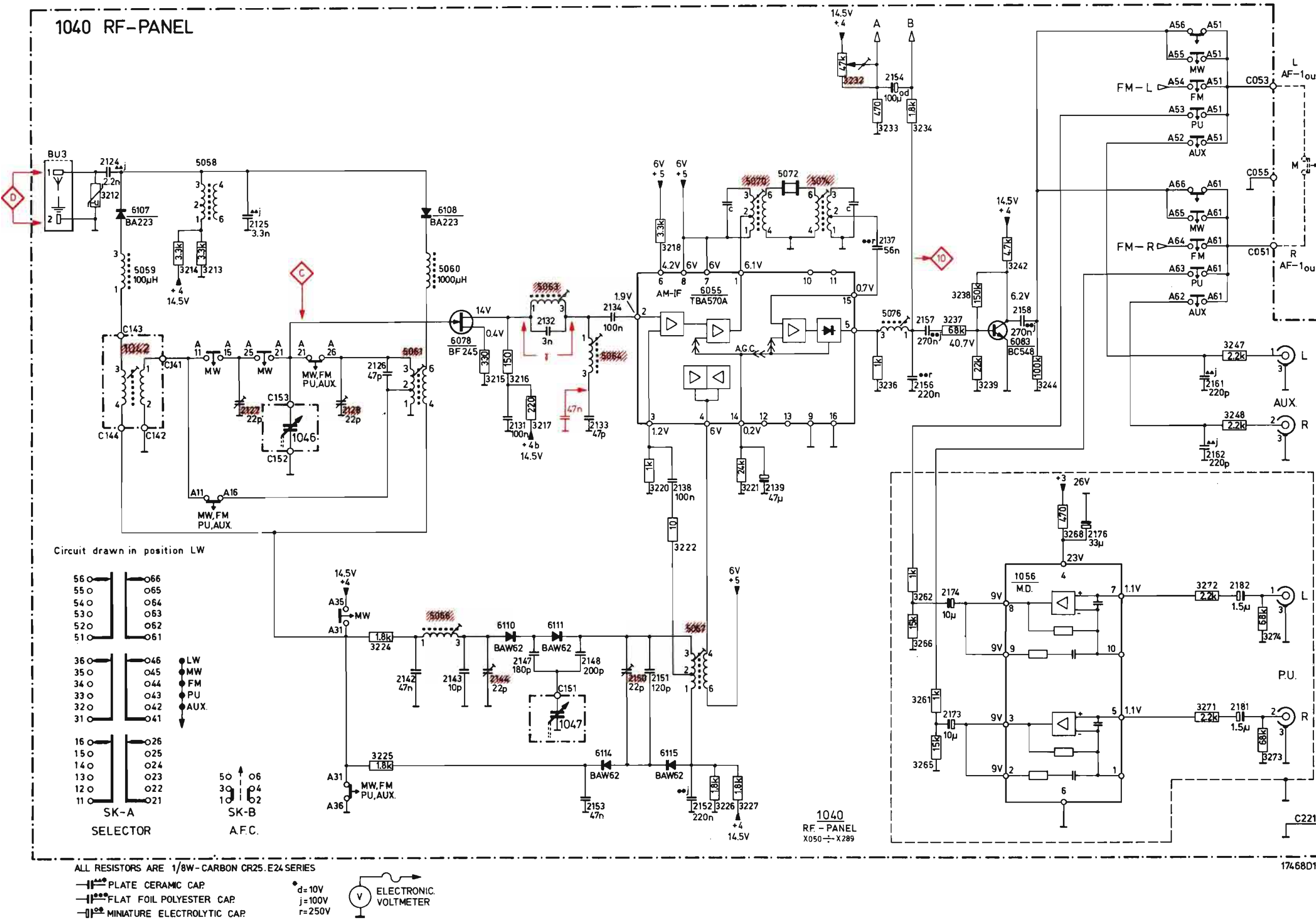






MISC	D6107	D6108	TS6078	D6110	D6111	D6114	D6115	IC6055	TS6083	IC1056
S	5059,1042	5058	5061,5060,5066	5063	5064	5067	5070	5072	5074	5076
C	2124	2127,2125	2142	2143,2144,2131	2147,2132,1047,2148,2133,2134,2150	2153,2138	2139	2137,2154,2157,2173,2174	2158	2176
R	3212	3214,3214	3224,3225	3215	3217	3220,3218,3222,3226,3221,3227	3232	3234,3236,3262,3266,3261,3265,3237	3239,3242,3244,3268	3271,3272,3247,3248,3273,3274

1040 RF-PANEL



To be mounted at a certain height from the print.

6072  
a=14.5V b=27V  
c=21.5V d=42V

6052  
a=15V b=13V  
c=13.5V d=22V  
e=15V f=15V  
g=8.3V h=15V  
i=7.2V j=8.4V  
k=7.3V l=16V

6055  
a=2.2V(MUTE)  
b=7.2V  
c=3.7V+d(4V/2)  
d=5V(MUTE)  
e=12.2V(MUTE)  
f=15V

6075  
a=AF  
b=0V(MUTE)  
c=0.7V(MUTE)

6067  
a=0.8V  
b=0.8V  
c=2.2V(MUTE)

6051  
a=12V  
b=2.4V  
c=3.4V  
d=4.2V  
e=5.2V  
f=13V(15V)  
g=6V(MONO)  
h=7.76MHz  
i=14.5V

6070,6069  
a=5.4V  
b=4.7V  
c=4V

6083  
a=12V  
b=12V  
c=6.2V

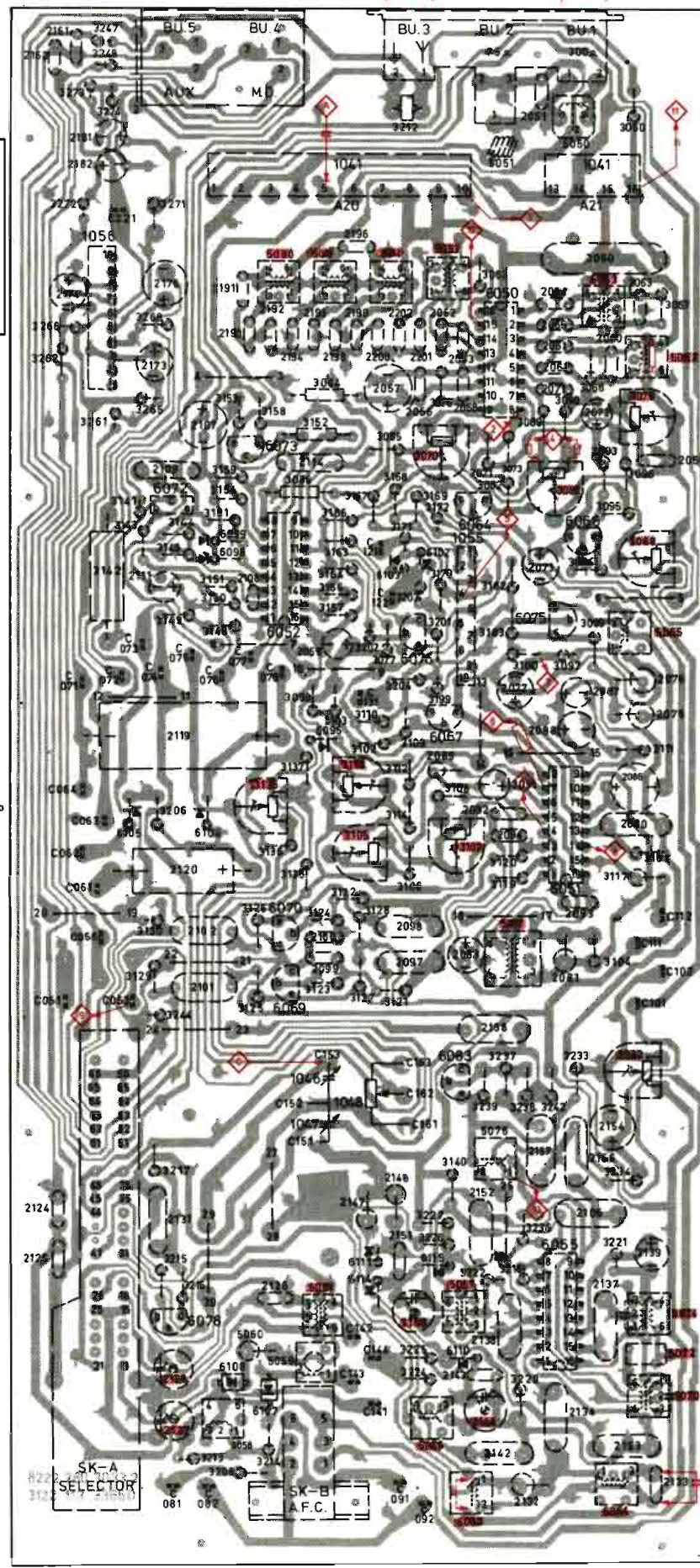
6078  
a=9V  
b=14V  
c=0.6V

6055  
a=1.6V  
b=2.15V  
c=3.12V  
d=4.6V  
e=5.4V  
f=6.4V  
g=7.6V  
h=8.5V  
i=9V  
j=10V  
k=12V  
l=12V  
m=13V  
n=14V  
o=15V  
p=16V

6075  
a=9V  
b=13V  
c=12V  
d=12V  
e=13V  
f=14V  
g=14.5V  
h=15V  
i=16V

6072  
a=14.5V  
b=27V  
c=21.5V  
d=42V

6052  
a=15V  
b=13V  
c=13.5V  
d=22V  
e=15V  
f=15V  
g=8.3V  
h=15V  
i=7.2V  
j=8.4V  
k=7.3V  
l=16V



S	C	R	IC	TS	D
2161		3247			
2162		3248			
2051		3273			
2051		3274			
3212		3056			
5050	2181				
5051	2182				
2196		3272			
2050		3271			
2063		3063			
2062		3067			
2062		3068			
2062		3069			
2062		3070			
2062		3071			
2062		3072			
2062		3073			
2062		3074			
2062		3075			
2062		3076			
2062		3077			
2062		3078			
2062		3079			
2062		3080			
2062		3081			
2062		3082			
2062		3083			
2062		3084			
2062		3085			
2062		3086			
2062		3087			
2062		3088			
2062		3089			
2062		3090			
2062		3091			
2062		3092			
2062		3093			
2062		3094			
2062		3095			
2062		3096			
2062		3097			
2062		3098			
2062		3099			
2062		3100			
2062		3101			
2062		3102			
2062		3103			
2062		3104			
2062		3105			
2062		3106			
2062		3107			
2062		3108			
2062		3109			
2062		3110			
2062		3111			
2062		3112			
2062		3113			
2062		3114			
2062		3115			
2062		3116			
2062		3117			
2062		3118			
2062		3119			
2062		3120			
2062		3121			
2062		3122			
2062		3123			
2062		3124			
2062		3125			
2062		3126			
2062		3127			
2062		3128			
2062		3129			
2062		3130			
2062		3131			
2062		3132			
2062		3133			
2062		3134			
2062		3135			
2062		3136			
2062		3137			
2062		3138			
2062		3139			
2062		3140			
2062		3141			
2062		3142			
2062		3143			
2062		3144			
2062		3145			
2062		3146			
2062		3147			
2062		3148			
2062		3149			
2062		3150			
2062		3151			
2062		3152			
2062		3153			
2062		3154			
2062		3155			
2062		3156			
2062		3157			
2062		3158			
2062		3159			
2062		3160			
2062		3161			
2062		3162			
2062		3163			
2062		3164			
2062		3165			
2062		3166			
2062		3167			
2062		3168			
2062		3169			
2062		3170			
2062		3171			
2062		3172			
2062		3173			
2062		3174			
2062		3175			
2062		3176			
2062		3177			
2062		3178			
2062		3179			
2062		3180			
2062		3181			
2062		3182			
2062		3183			
2062		3184			
2062		3185			
2062		3186			
2062		3187			
2062		3188			
2062		3189			
2062		3190			
2062		3191			
2062		3192			
2062		3193			
2062		3194			
2062		3195			
2062		3196			
2062		3197			
2062		3198			
2062		3199			
2062		3200			
2062		3201			
2062		3202			
2062		3203			
2062		3204			
2062		3205			
2062		3206			
2062		3207			
2062		3208			
2062		3209			
2062		3210			
2062		3211			
2062		3212			
2062		3213			
2062		3214			
2062		3215			
2062		3216			
2062		3217			
2062		3218			
2062		3219			
2062		3220			
2062		3221			
2062		3222			
2062		3223			
2062		3224			
2062		3225			
2062		3226			
2062		3227			
2062		3228			
2062		3229			
2062		3230			
2062		3231			
2062		3232			
2062		3233			
2062		3234			
2062		3235			
2062		3236			
2062		3237			
2062		3238			
2062		3239			
2062		3240			
2062		3241			
2062		3242			
2062		3243			
2062		3244			
2062		3245			
2062		3246			
2062		3247			
2062		3248			
2062		3249			
2062		3250			
2062		3251			
2062		3252			
2062		3253			
2062		3254			
2062		3255			
2062		3256			
2062		3257			
2062		3258			
2062		3259			
2062		3260			
2062		3261			
2062		3262			
2062		3263			
2062		3264			
2062		3265			

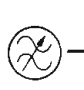
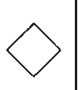

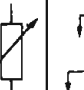
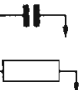



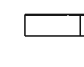
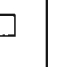









SK								
<b>FM-IF</b>								
FM-Manual AFC-off FM-Mute off	<b>1</b> fo = ± 10,7 Mc Δf = 250 kc via 10 pf	<b>A</b>				<b>1</b> <b>2</b>		
	fo = ± 10,7 Mc Δf = 250 kc via 10 pf	<b>A</b>			S 5080 S 5081 S 5082 S 5083	<b>2</b> Max. + symm.		
	98 Mc 1...2 μV Δf = 250 kc	<b>B</b>			S 5052	S 5053	<b>3</b> <b>3</b>	
	98 Mc 1 mV Δf = 75 kc					S 5052	<b>3</b> <b>4</b>	
	98 Mc 1...2 μV Δf = 75 kHz				R 3088		<b>5</b> 7.15 V...	
				R 3087		<b>4</b> 0 ± 30 mV...		
<b>Stereo-decoder</b>								
FM-Manual AFC-off FM-Mute off					R 3113		<b>6</b> Counter via 1 M Ω 76 kc ± 0,3 kc	
	100 Mc 1 mV Pilot mod 7%	<b>B</b>			S 5055	<b>7</b> Min.		
	100 Mc 10 μV				R 3075	<b>8</b> 0.7 V ...		
	100 Mc S-signal 1 kc, 1 mV	<b>B</b>			S 5057	<b>7</b> Min.		
	100 Mc-1mV 1 Kc-R mod 1 Kc-L mod	<b>B</b>			R 3105 R 3107	<b>9</b> Min.		

SK														
<b>FM-RF</b>														
FM-Manual AFC-off FM-Mute off	109 Mc 87 Mc 98 Mc	<b>B</b>	<table border="1"> <tr> <td>87</td> <td>98</td> <td>109</td> </tr> <tr> <td>A</td> <td>B</td> <td>A</td> </tr> </table>	87	98	109	A	B	A			R 3718 R 3652 R 3135	<b>1</b> Max. <b>11</b> = 20 V... = 1.8 V... = 5.1 V...	
	87	98	109											
A	B	A												
<b>FM-Tuner</b>														
FM-Manual AFC-off FM-Mute off	<b>1</b> fo = ± 10,7 Mc Δf = 250 kc via 10 pf	<b>A</b>					<b>1</b> <b>2</b>							
	109 Mc 1...2 μV	<b>B</b>				S 5961	<b>12</b> <b>2</b>							
	87 Mc 1...2 μV					C 2951 C 2958	<b>12</b> Max.							
						S 5954 S 5956	<b>12</b> Max.							
<b>AM-IF</b>														
MW	± 452 kc (-/12/28) ± 468 kc (-/00/15) Δf = 50 kc	<b>C</b>	Min.cap.		S 5063 		<b>10</b> <b>2</b>							
					47 nF C2133	S 5070 S 5074	<b>10</b> <b>5</b>							
						S 5063 S 5064	<b>10</b> Min.							
<b>AM-RF</b>														
LW	147 kc + 1 kc mod		Max.cap.			S 5067								
	352 kc + 1 kc mod		Min.cap.			C 2150	<b>10</b> Max.							
MW	512 kc + 1 kc mod	<b>C</b>	Max.cap.			S 5066								
	1635 kc + 1 kc mod		Min.cap.			C 2144								

SK							
LW	157 Kc + 1 kc mod 336 Kc + 1 Kc mod						
MW	550 Kc + 1 kc mod						
	1500 kc + 1 kc mod						

REPEAT

## Fieldstrength-indicator Ind. 1020

FM					R 3070	IND 1020 "zero"
AUX					R 3232	

GB

- Determine the frequency of the ceramic resonator.
- Place the peak of the band-pass curve in the middle of the picture by shifting the sweep frequency.
- Adjust for linearity and symmetry of the S-curve.
- Adjust for minimum distortion on distortion meter.
- Adjust for maximum height and symmetry.

F

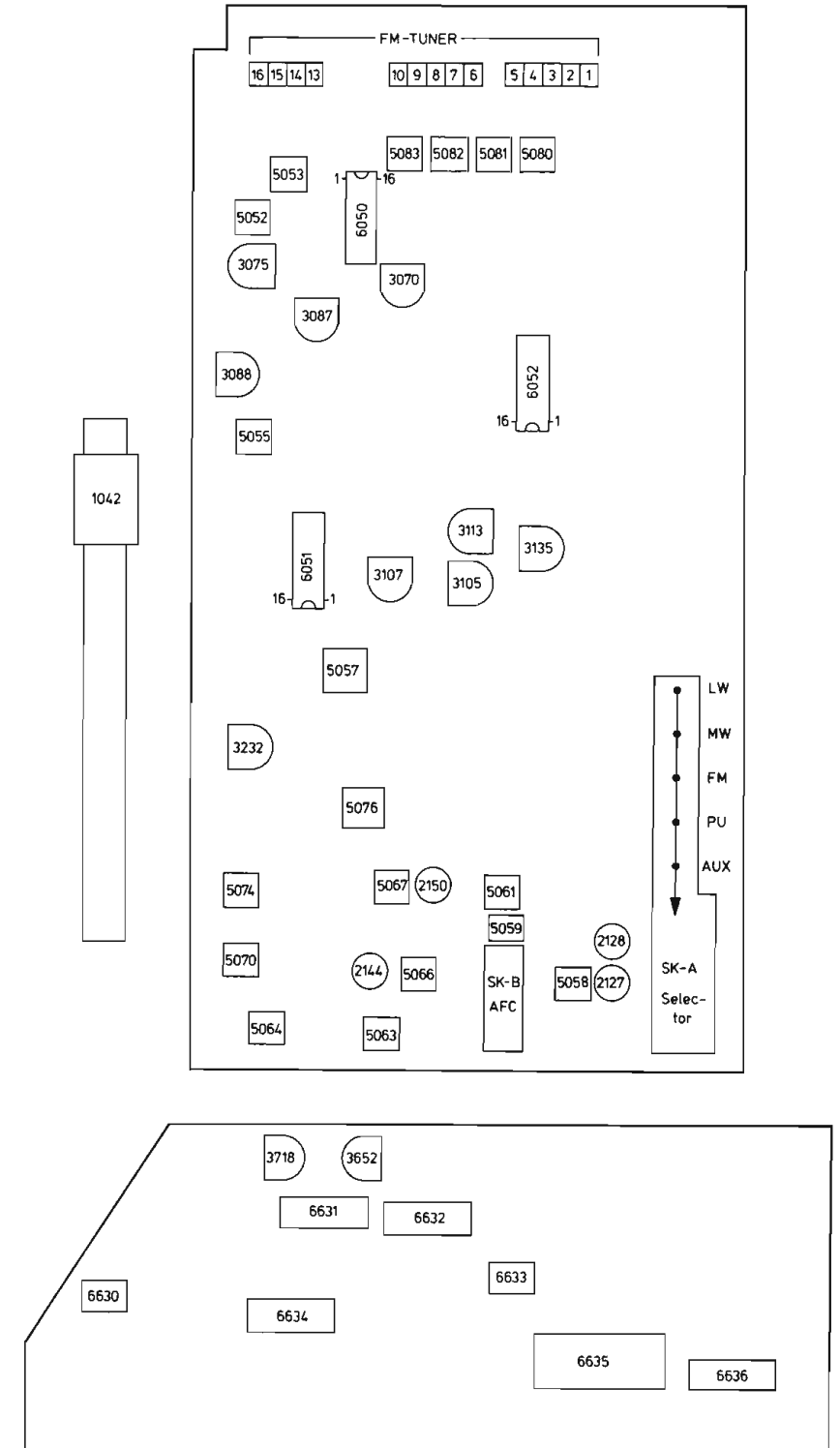
- Déterminer la fréquence du résonateur céramique.
- La crête de la courbe de réponse doit être placée au milieu de l'écran en déplaçant la fréquence wobulatrice.
- Ajuster la linéarité et la symétrie de la courbe en S.
- Ajuster de façon à obtenir un minimum de distorsion sur l'instrument ad hoc.
- Ajuster pour un maximum de hauteur et symétrie.

NL

- Bepaal de frequentie van de keramische resonotr.
- De top van de doorlaatkromme door verschuiven van de wobbelfrequentie in het midden van het beeld plaatsen.
- Afregelen op lineariteit en symmetrie van de S-kromme.
- Afregelen voor minimale distorsie op distorsimeter.
- Afregelen op maximum hoogte en symmetrie.

D

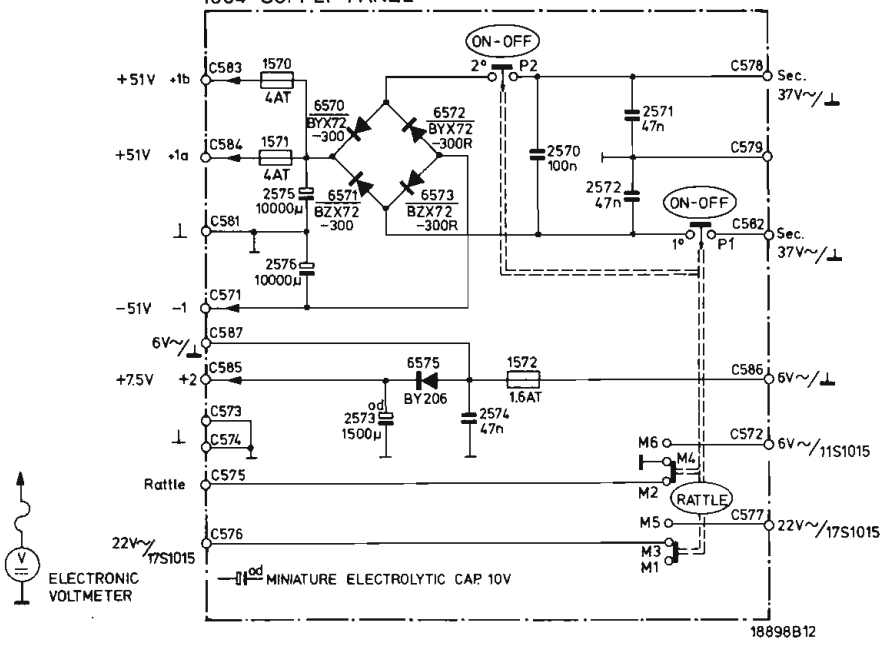
- Die Frequenz des keramischen Resonators feststellen.
- Die Spitze der Durchlasskurve in der Mitte des Bildes legen dadurch, dass man die Wobbelfrequenz verschiebt.
- Abgleichen auf Linearität und Symmetrie der Durchlasskurve.
- Abgleichen auf Minimalverzerrung mit Klirrfaktormesser.
- Abgleichen auf Maximalhöhe und Symmetrie.





MISC	1570.1571	D6572.6575	1572
C	2575.2576	2573	2574 2570 2572.2571

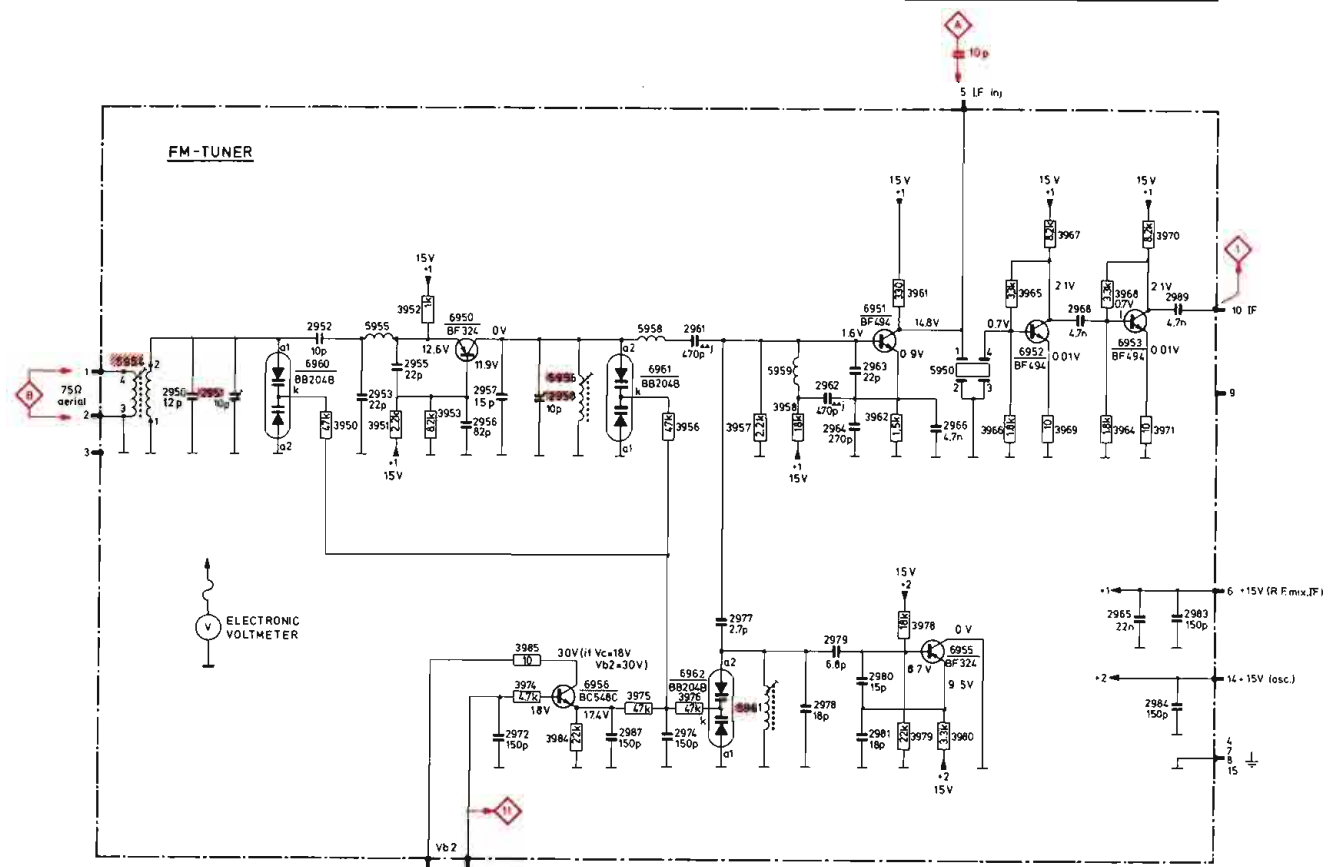
1004 SUPPLY PANEL



MINIATURE ELECTROLYTIC CAP 10V

18896B12

MISC	5954	6960	5955	6950	5956	6956	6961	5958	6962	5961	5959	6951	5950	6955	6952	6953					
C	2950	2951	2952	2953	2955	2956	2957	2972	2958	2987	2974	2961	2962-2964	2978-2981	2966	2968.2965.2984.2983.2989					
.R			3950	3951	3952	3953	3985	3974	3984	3975.3956	3976	3957	3958	3962	3961	3978-3980	3965-3967	3969	3968	3964	3970.3971



> +22V < +30V 1.8V...18V

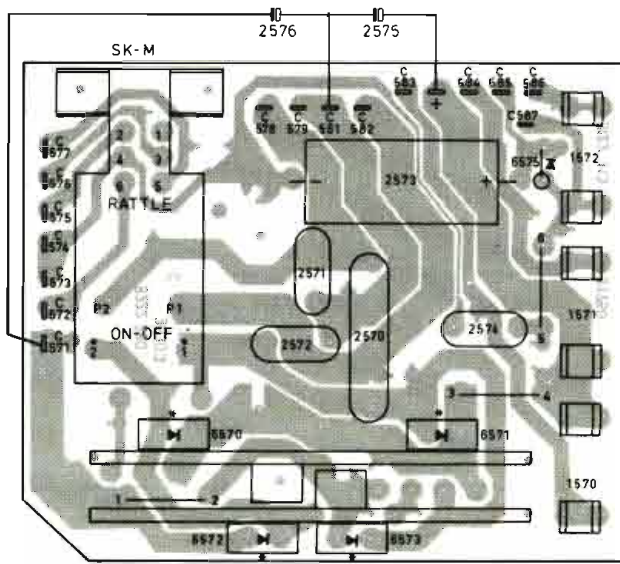
ALL CAPACITORS 100V-VERSION EXCEPT THE FOLLOWING: 2965, 2966, 2968, 2980, 2989. ALL RESISTORS ARE 1/8W CARBON CR25-E12-SERIES

17466012

MISC	SK-M	D6570.6572	D6573	6571	D6575	VL1570.1571.1572
C		2572.2571	2570	2574		
		2576	2575.2573			

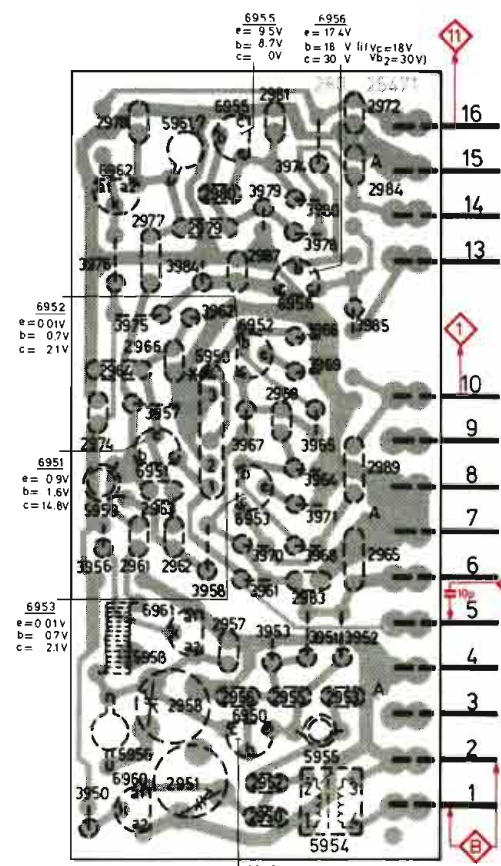


MISC	SK-M	D6570	D6572	D6573	D6571	D6575	VL1570+1572
C		2576	2575	2573	2574		
		2572	2571	2570			



\* Text on this side

19651C12

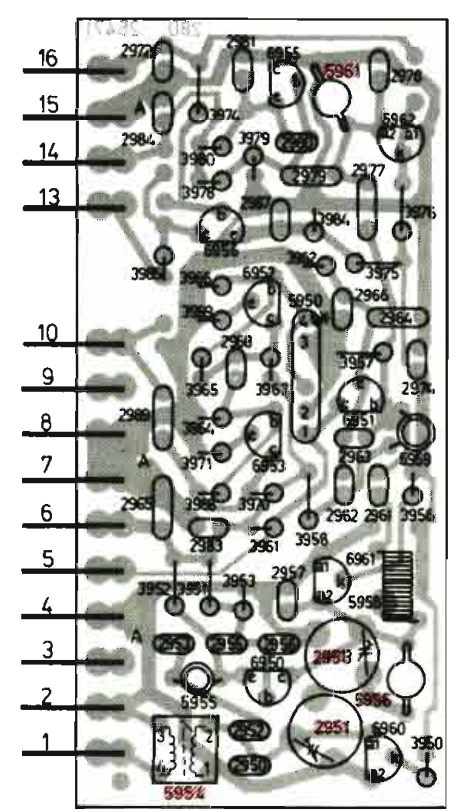


6950  
e = 12.5V  
b = 11.9V  
c = 0V



Ts	S	C	C	R	R
6955	5961	2972	2978		
		2981			
6962		2984	3974		
		2980	3980	3979	
		2979		3978	
6956		2987	3984	3976	
		2985	3985	3975	
6952		2966	2964	3969	
		2966	3966	3969	
6951	5950	2968	2974	3965	3967
6953	5959	2989	2963	3964	3971
		2962	2961	3968	3970
		2965	2965	3968	3956
		2983	3961	3958	
6961	5958	2957	3952	3951	3953
		2953	2955		
6950	5955	2956	2958		
		2952	2951		
6960		2950			3950
					3950
					3950

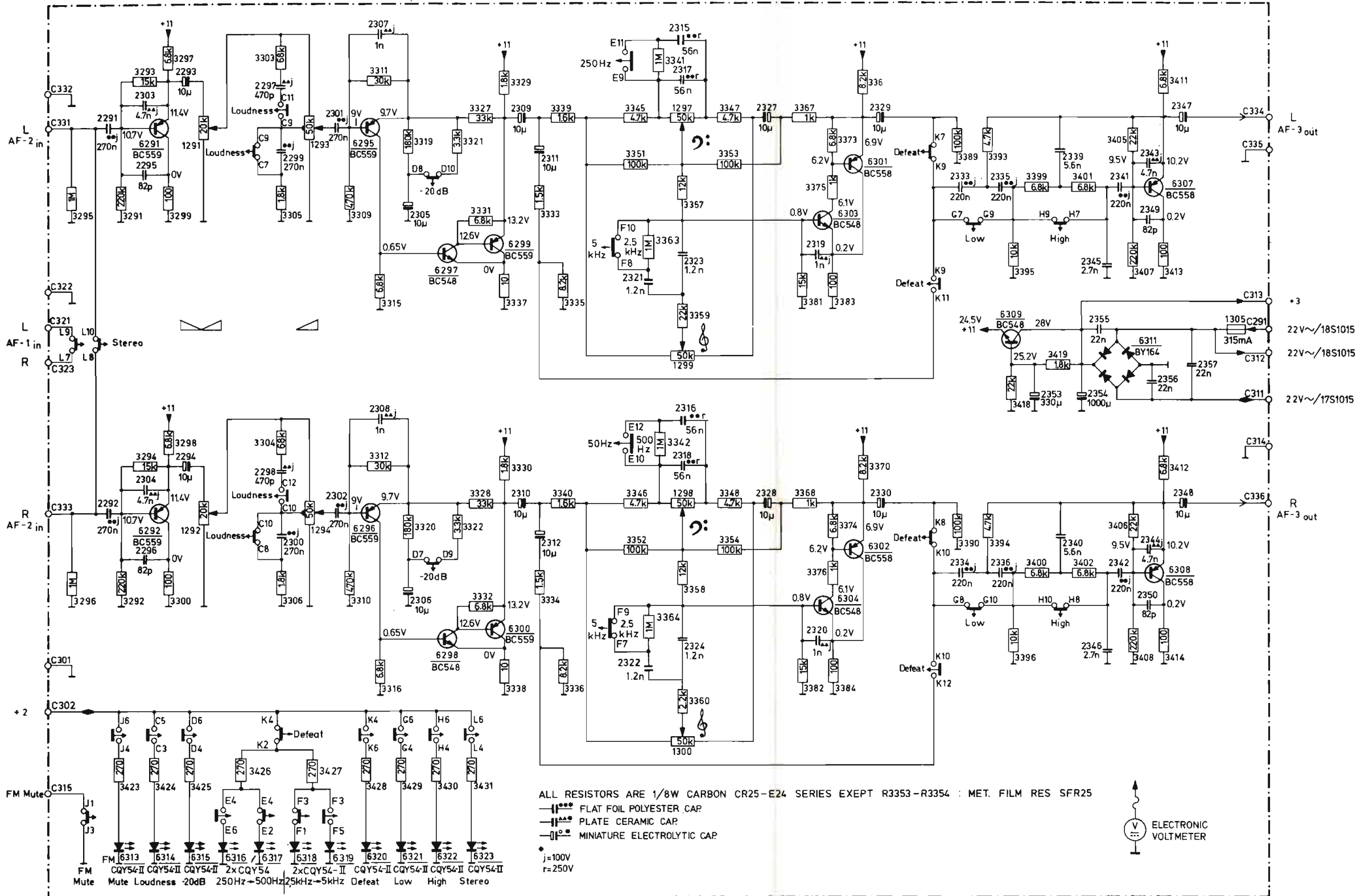
\* = Colour dot indication on this side.  
A = To be soldered to the case



18987012

MISC	D6313...6315.TS6291.6292	D6316...6319	TS6295.6296.D6320...6323.TS6297...6300	TS6301...6304	TS6309	D6311.TS6307.6308	1305							
C	2291.2292.2303.2304.2293	2295	2297...2299.2300...2302.2305...2308	2309...2312	2315...2318.2321...2324.2327.2328	2319.2320.2329.2330	2333...2335.2353.2339...2345.2354...2357.2347...2350							
R	3295	3291.3293.3297.3299.1291	3303.3305.1293	3309.3311	3319	3321.3327.3331.3329.3333.3339	3345.3351.1297.3357.3347.3353	3367.3373.3375.3369	3389	3393.3395.3399	3401.3405.3407.3411.3413			
R		3294.3298	1292	3304	1294	3312.3315.3320.3322.3328.3330.3337.3335.3340	3352.3346.1298.1299.3359.3348.3354.3368.3381.3383.3374.3370	3390	3394.3418	3419	3406	3412		
R	3296	3292.3423...3425.3300.	3426.3427.3306.	3310	3316	3428...3431	3332.3338	3334.3336	3341.3363	3338.3360.1300.3342.3364.	3382.3376.3384	3396.3400	3402	3408.3414

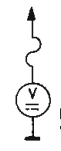
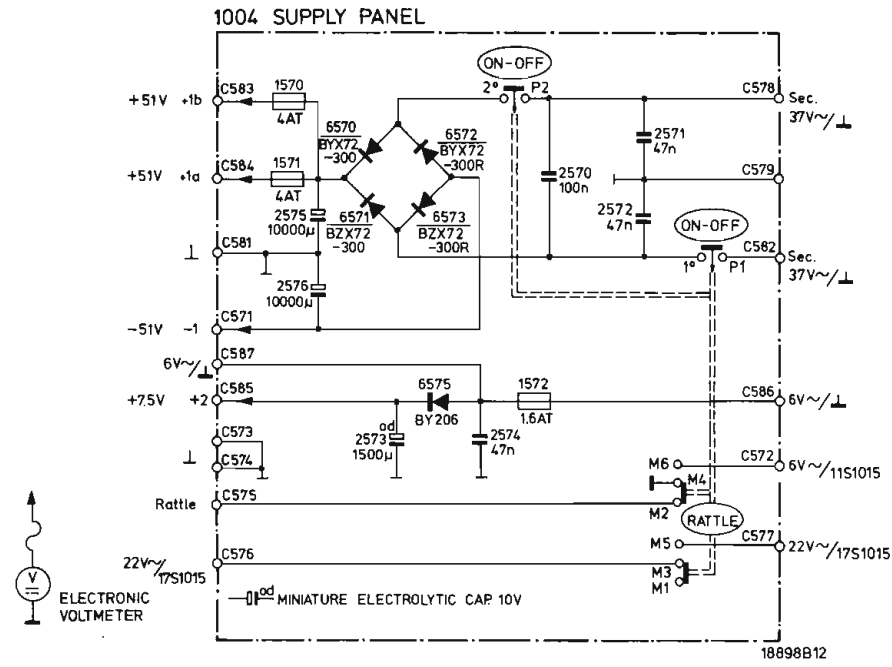
1002 TONE CONTROL



18820D2



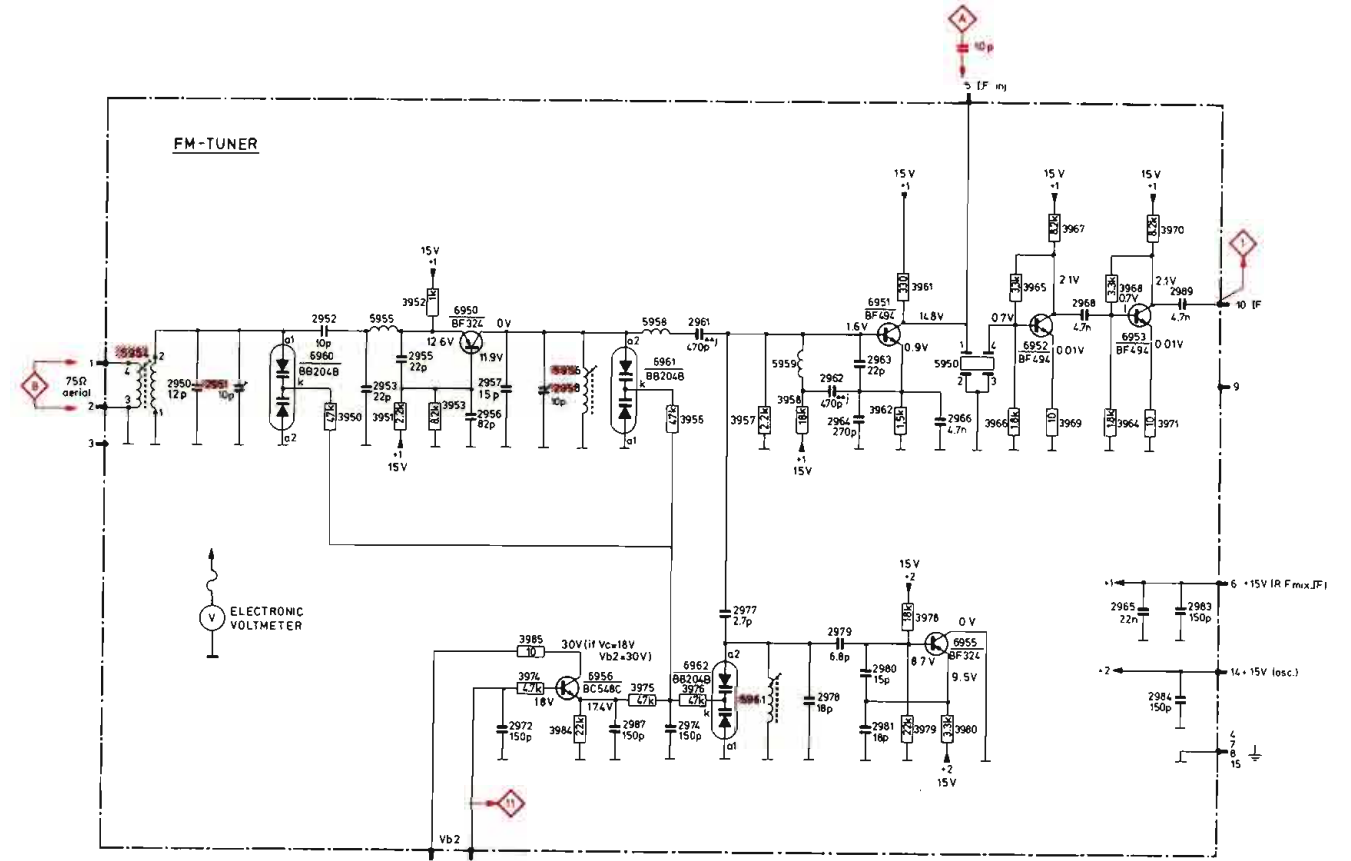
MISC	1570.1571	D6572.6575	1572
C	2575.2576	2573	2574 2570 2572.2571



ELECTRONIC VOLTMETER

18698B12

MISC	5954	6960	5955	6950	5956	6956	6961	5958	6962	5961	5959	6951	5950	6955	6952	6953			
C	2950	2951	2952	2953	2955	2956	2957	2972	2958	2987	2974	2961	2962-2964	2978-2981	2966	2968, 2965, 2982, 2983, 2989			
R			3950	3951	3952	3953	3985	3974	3984	3975, 3956	3976	3957	3958	3962, 3961	3978-3980	3965-3967	3969	3964	3964, 3970, 3971



FM-TUNER



ELECTRONIC VOLTMETER

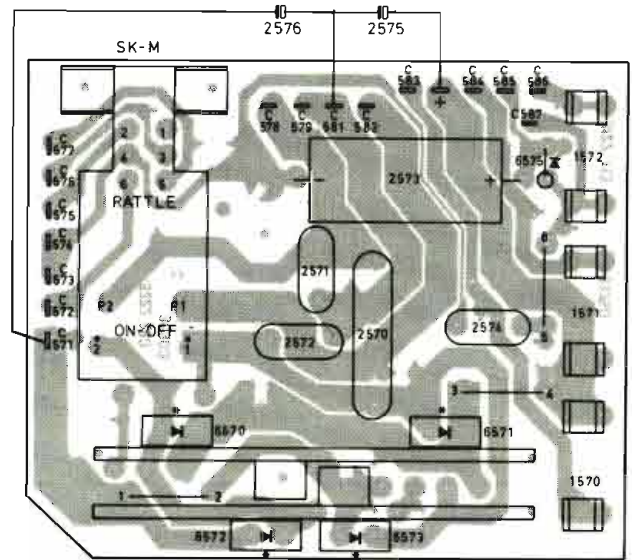
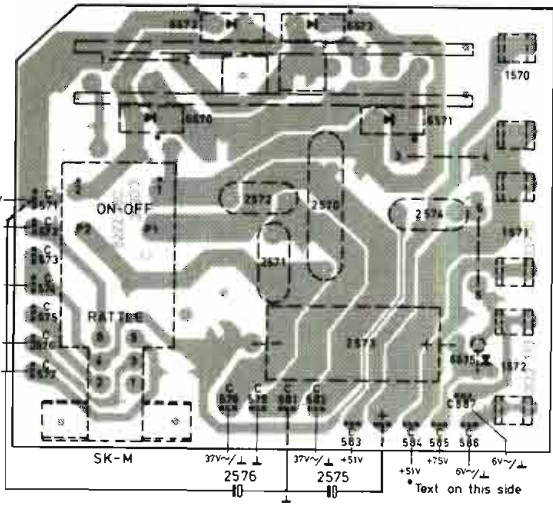
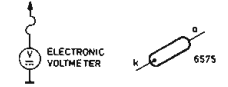
+22V <+30V 18V...18V

ALL CAPACITORS 100V-VERSION EXCEPT THE FOLLOWING: 163V12965, 29662, 968AND 2969  
ALL RESISTORS ARE 1/8W CARBON CR25-E12-SERIES

17L66D12

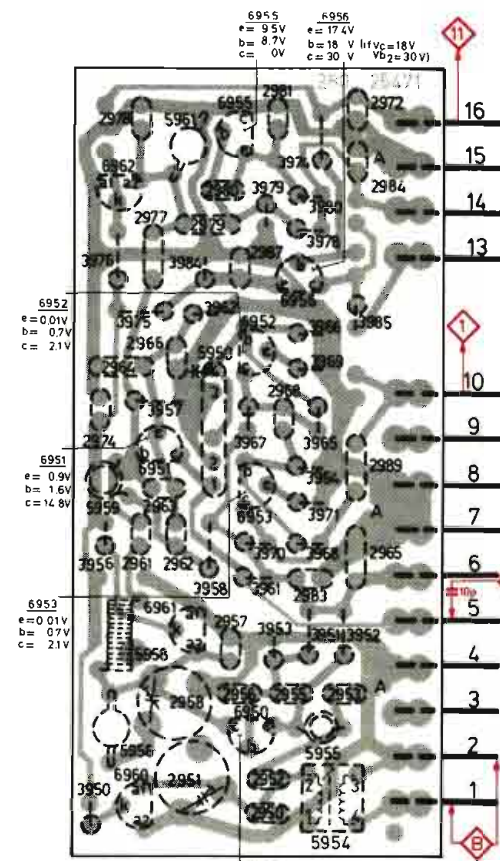
MISC	SK-M	D6570.6572	D6573	6571	D6575	V1	1570.1571.1572
C		2572.2571	2570	2574	2575	2573	

MISC	SK-M	D6570	D6572	D6573	D6571	D6575	V1	1570+1572
C		2576	2576	2575	2573	2572	2571	2574

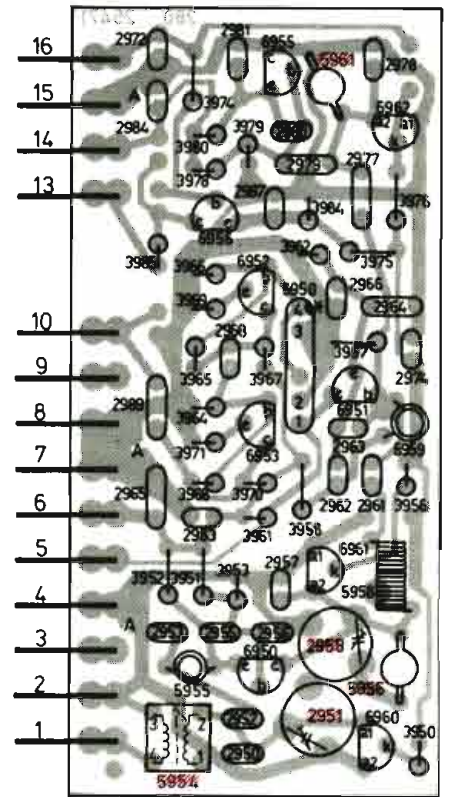


\* Text on this side

19651C12



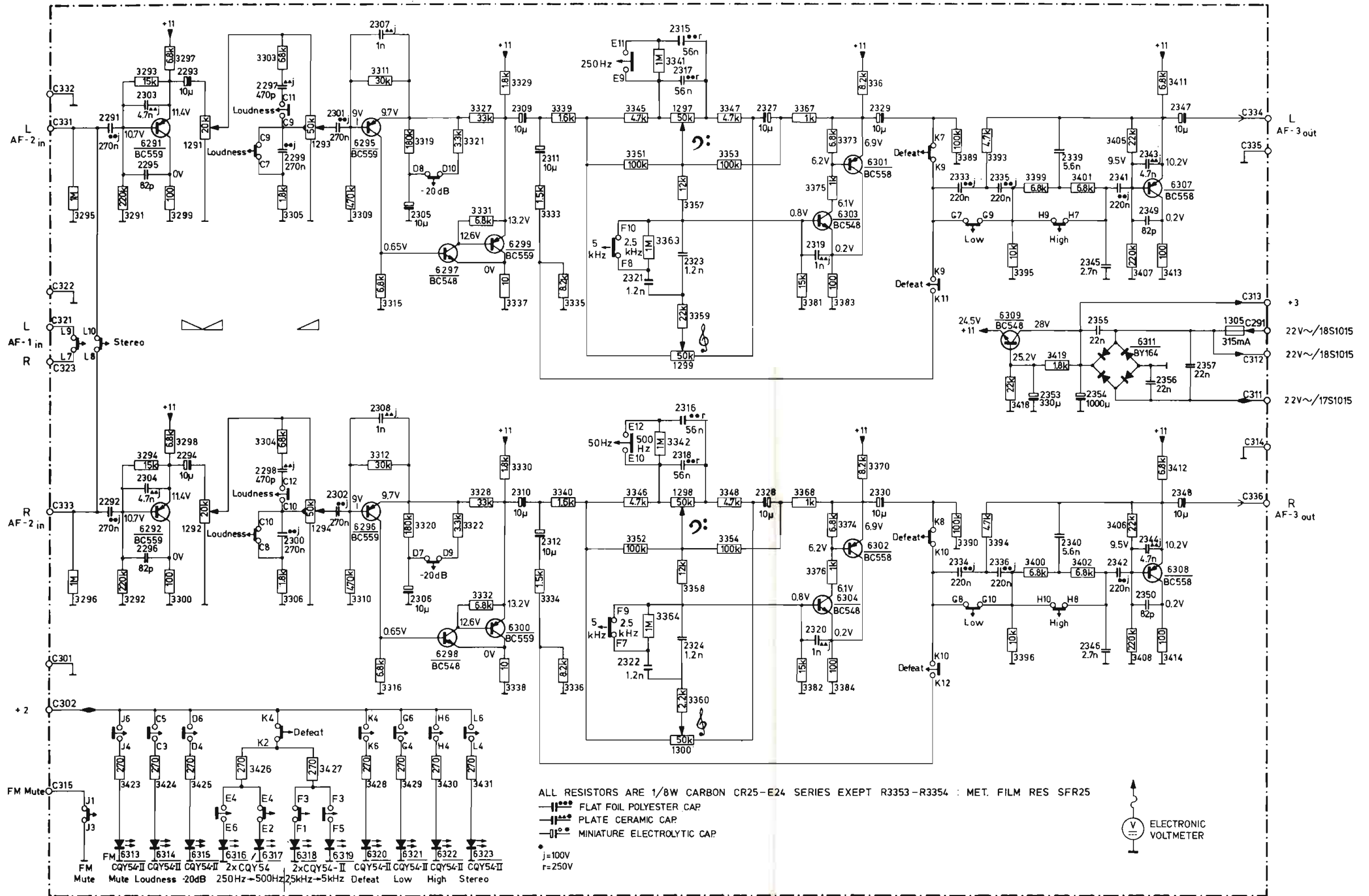
Ts	S	C	C	R	R
6955	2972	2981	2978		
6962	2984	2980	2979	3980	3978
6956	2987	2977	3984	3976	
6952	2966	2964	3985	3975	3966
6950	2968	2974	3965	3967	3957
6951	2989	2963	3964	3971	
6953	2962	2961	3968	3970	3956
6961	2983	2965	3961	3958	
6950	2953	2955	2958		
6960	2952	2951	3952	3951	3953
5954					3950



\* = Colour dot indication on this side.  
A = To be soldered to the case

MISC	D6313...6315.TS6291.6292	D6316...6319	TS6295.6296.D6320...6323.TS6297...6300	TS6301...6304	TS6309	D6311.TS6307.6308	1305							
C	2291.2292.2303.2304.2293	2295	2297...2299.2300...2302.2305...2308	2309...2312	2315...2318.2321...2324.2327.2328	2319.2320.2329.2330	2333...2335.2353.2339...2345.2354...2357.2347...2350							
R	3295	3291.3293.3297.3299.1291	3303.3305.1293	3309.3311	3319	3321.3327.3331.3329.3333.3339	3345.3351.1297.3357.3347.3353	3367.3373.3375.3369	3389	3393.3395.3399	3401.3405.3407.3411.3413			
R		3294.3298	1292	3304	1294	3312.3315.3320.3322.3328.3330.3337.3335.3340	3352.3346.1298.1299.3359.3348.3354	3368.3381.3383.3374.3370	3390	3394.3418	3419	3406	3412	
R	3296	3292.3423...3425.3300.	3426.3427.3306.	3310	3316	3428...3431	3332.3338	3334.3336	3341.3363	3338.3360.1300.3342.3364.	3382.3376.3384	3396.3400	3402	3408.3414

1002 TONE CONTROL





M	1291-1294										1297,1298					1299,1300					1305				
TS,D	6314	6295-6300					6301-6304					6315	6316	6317	6291	6292	6320	6307	6308	6318	6319,6309	6321	6322	6323	6311,6313
R	3316 3312, 3328 3330 3335 3336 3370 3367, 3368										3297 3293					3294	3411	3389 3412 3408 3407, 3418					3295	3296	
	3311 3327 3310 3332					3333 3334, 3369 3376, 3374, 3358					3354	3353	3299 3291		3300	3292	3363 3405 3406					3419	3296		
	3315 3331, 3318 3329 3322 3320					3373 3381, 3384 3352 3351					3357 3348 3347		3298		3428	3390		3393, 3394		3396 3395		3399 3400 3402		3401	
	3309 3303, 3337 3306 3319 3321					3375 3340 3382 3346					3341					3364 3413 3414		3363 3427 3429 3430 3431 3423							
C	2302 2308		2310 2312		2329					2293 2294		2304		2347 2291											
	2307		2311		2330					2303 2296		2349 2343		2292 2342											
	2301		2309		2319 2320		2327 2328		2295					2344 2350 2348		2341		2353 2354		2355					
	2298		2306		2305		2318 2316 2315 2317					2333 2334 2335 2336, 2340, 2339		2341		2353 2354		2355							
	2297 2299 2300												2324 2322		2323 2321 2346 2345										

6295,6296    6297,6298    6299,6300    6301,6302    6303,6304

a=9.7 V    a=0 V    a=13.2V    a=6.9V    a=0.2V  
 b=9 V    b=0.65V    b=12.6V    b=6.2V    b=0.8V  
 c=0.65V    c=12.6 V    c=0 V    c=0.2V    c=6.1V

6291,6292

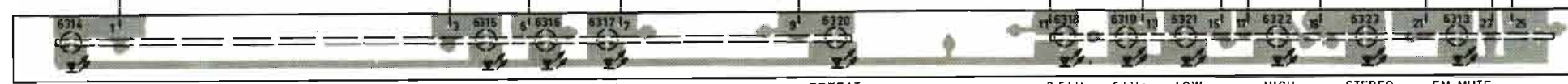
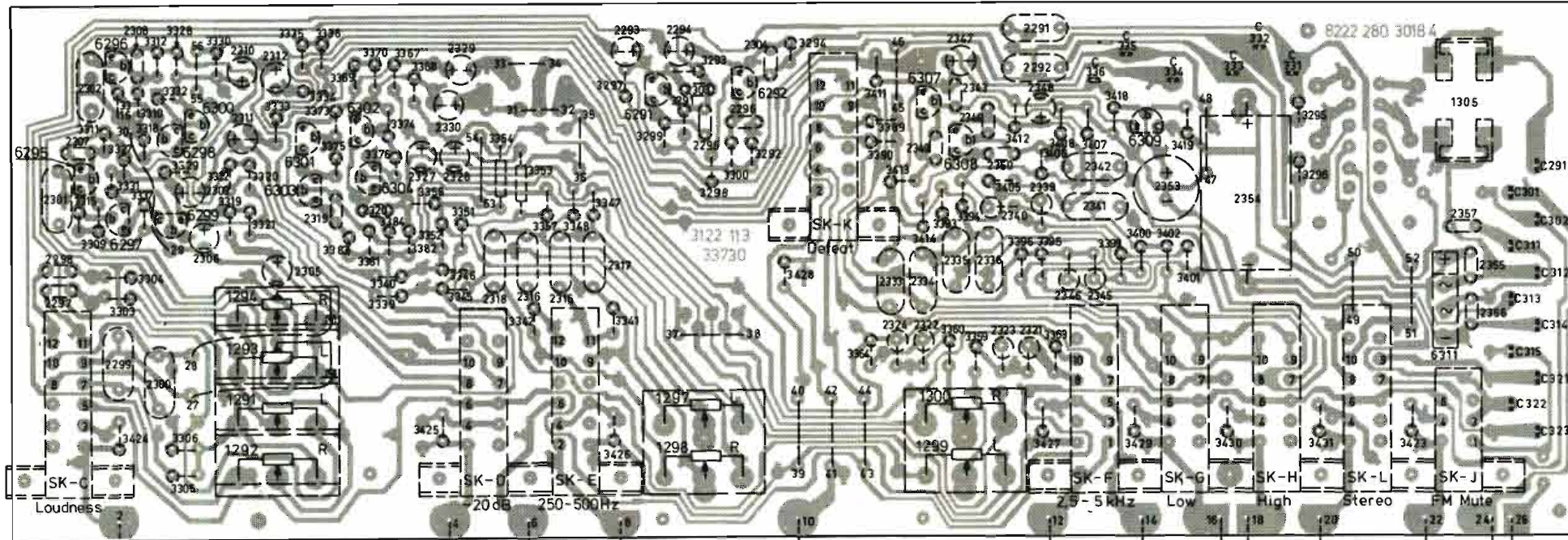
a=11.4V    a=10.2V  
 b=10.7V    b=9.5V  
 c=0 V    c=0.2V

6307,6308

a=10.2V    a=10.2V  
 b=9.5V    b=9.5V  
 c=0.2V    c=0.2V

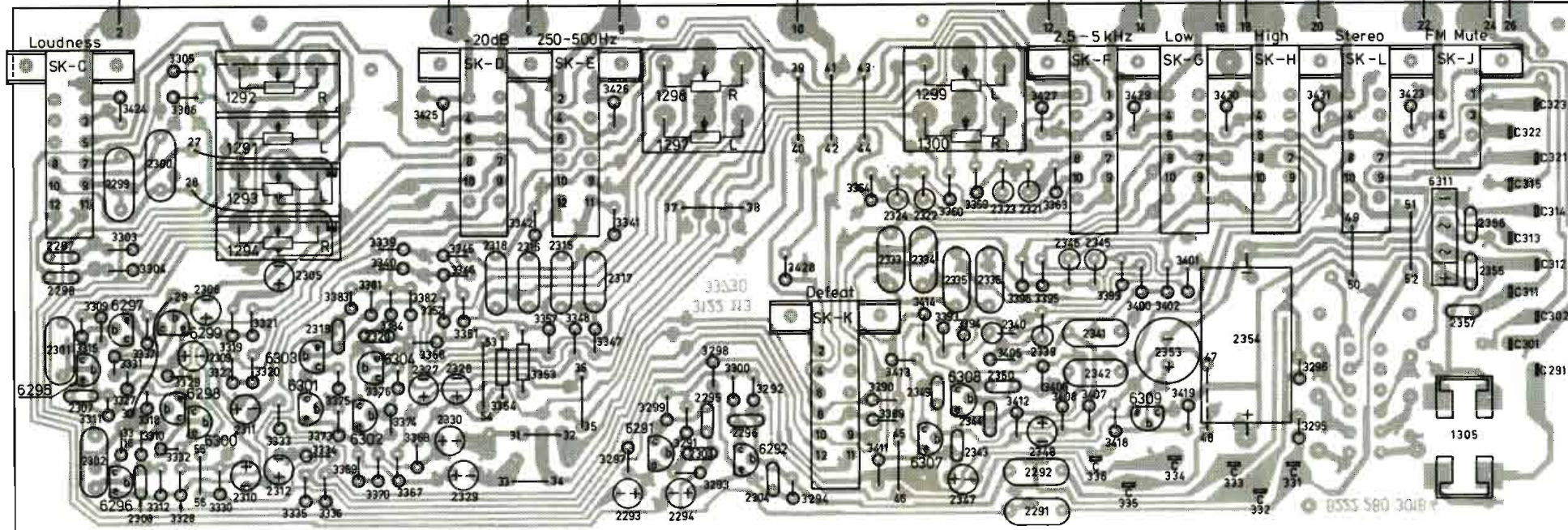
6309

a=21.5V    a=21.5V  
 b=25.2V    b=25.2V  
 c=28 V    c=28 V



LOUDNESS    -20dB 250Hz 500Hz    DEFEAT    2,5 kHz 5 kHz    LOW    HIGH    STEREO    FM MUTE

LOUDNESS    -20dB 250Hz 500Hz    DEFEAT    2,5 kHz 5 kHz    LOW    HIGH    STEREO    FM MUTE



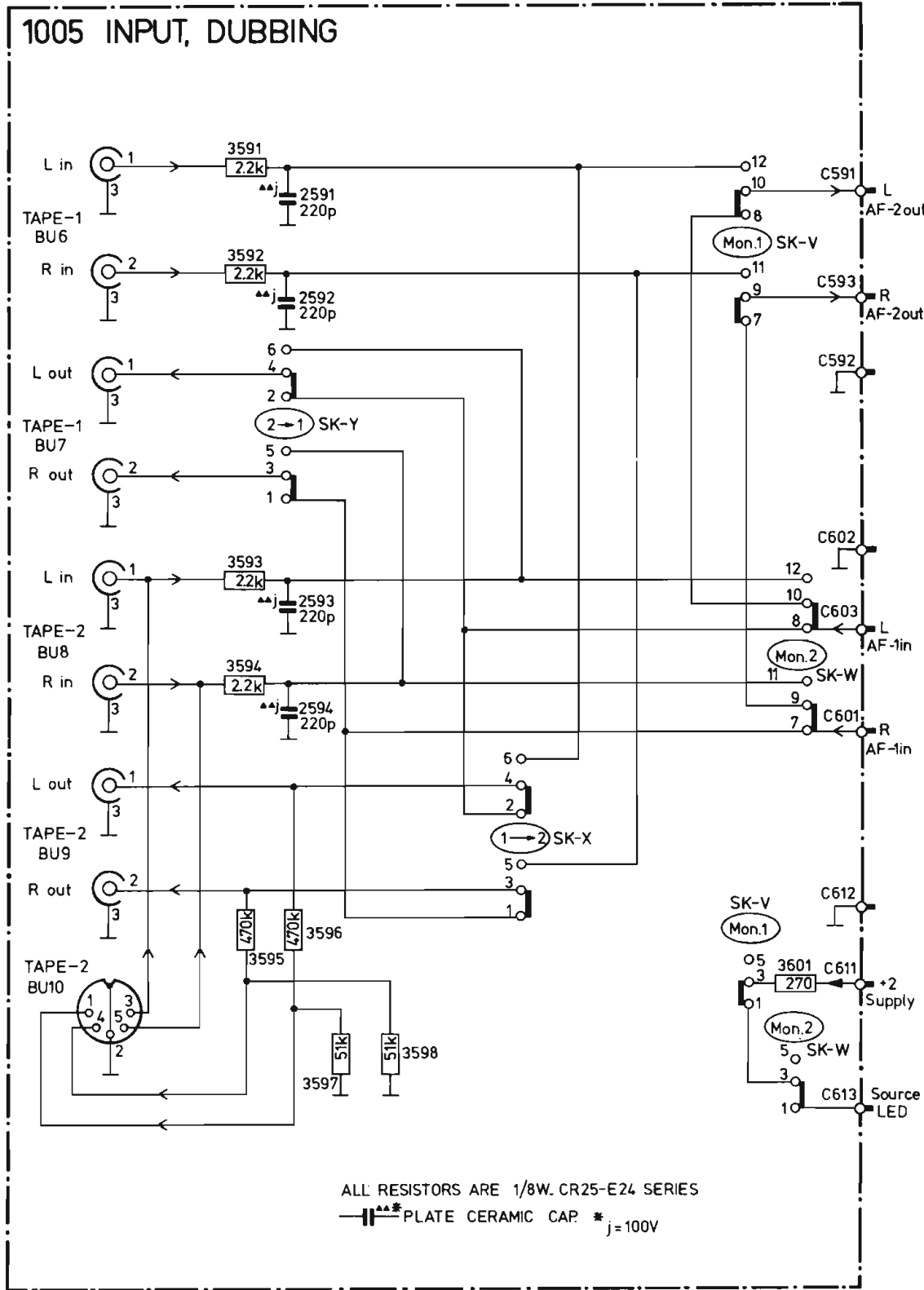
18616E12

18617E12



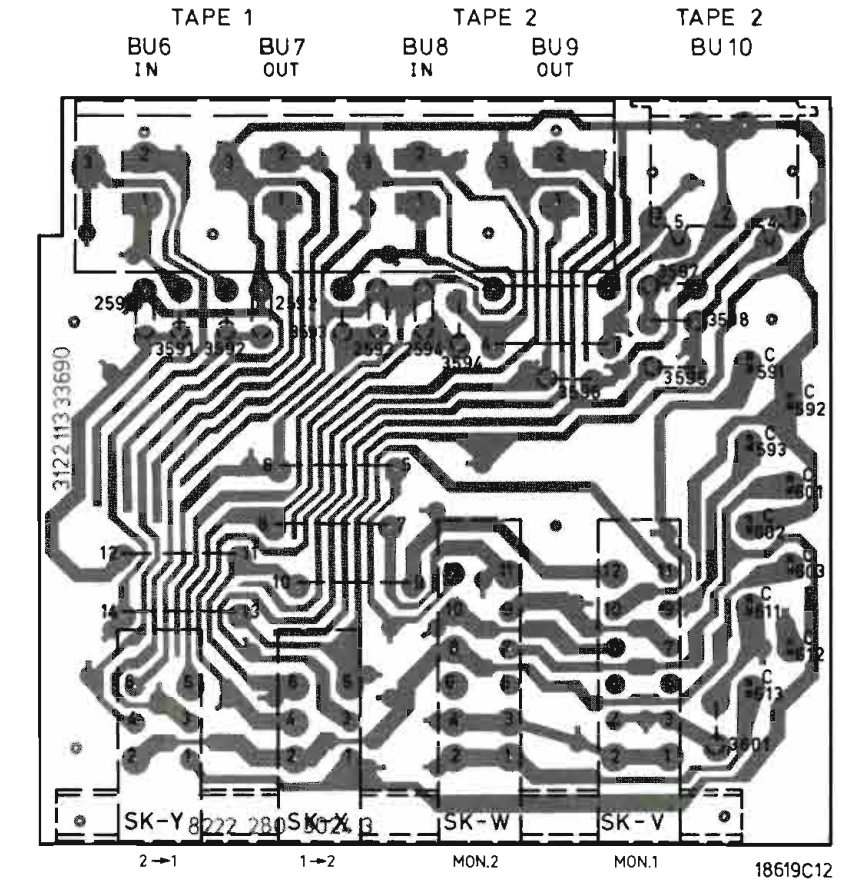
C	2591...2594	3601
R	3591...3596.3597.3598	

1005 INPUT, DUBBING

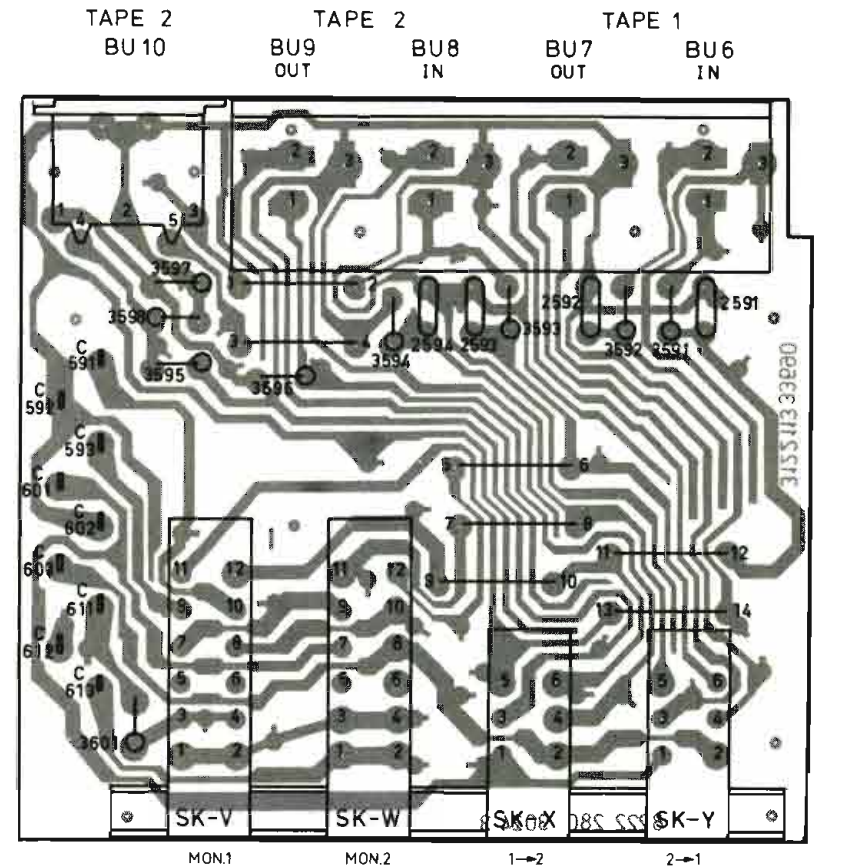


17465D12

C	2591	2592	2593	2594		
R	3591	3592	3593	3594	3596	3597 3598 3595 3601



C			2594	2593	2592	2591
R	3598	3597	3596	3594	3593	3592 3591 3601 3595



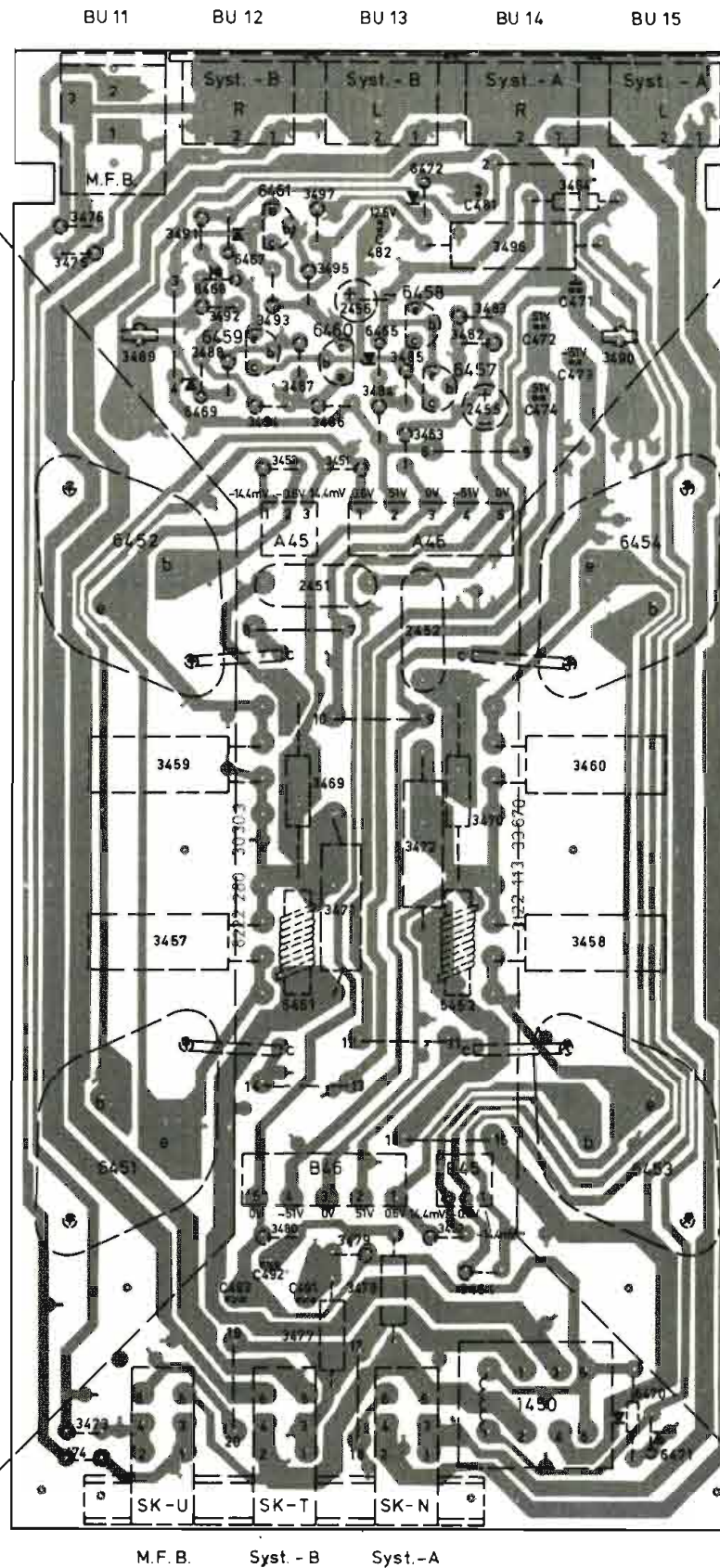
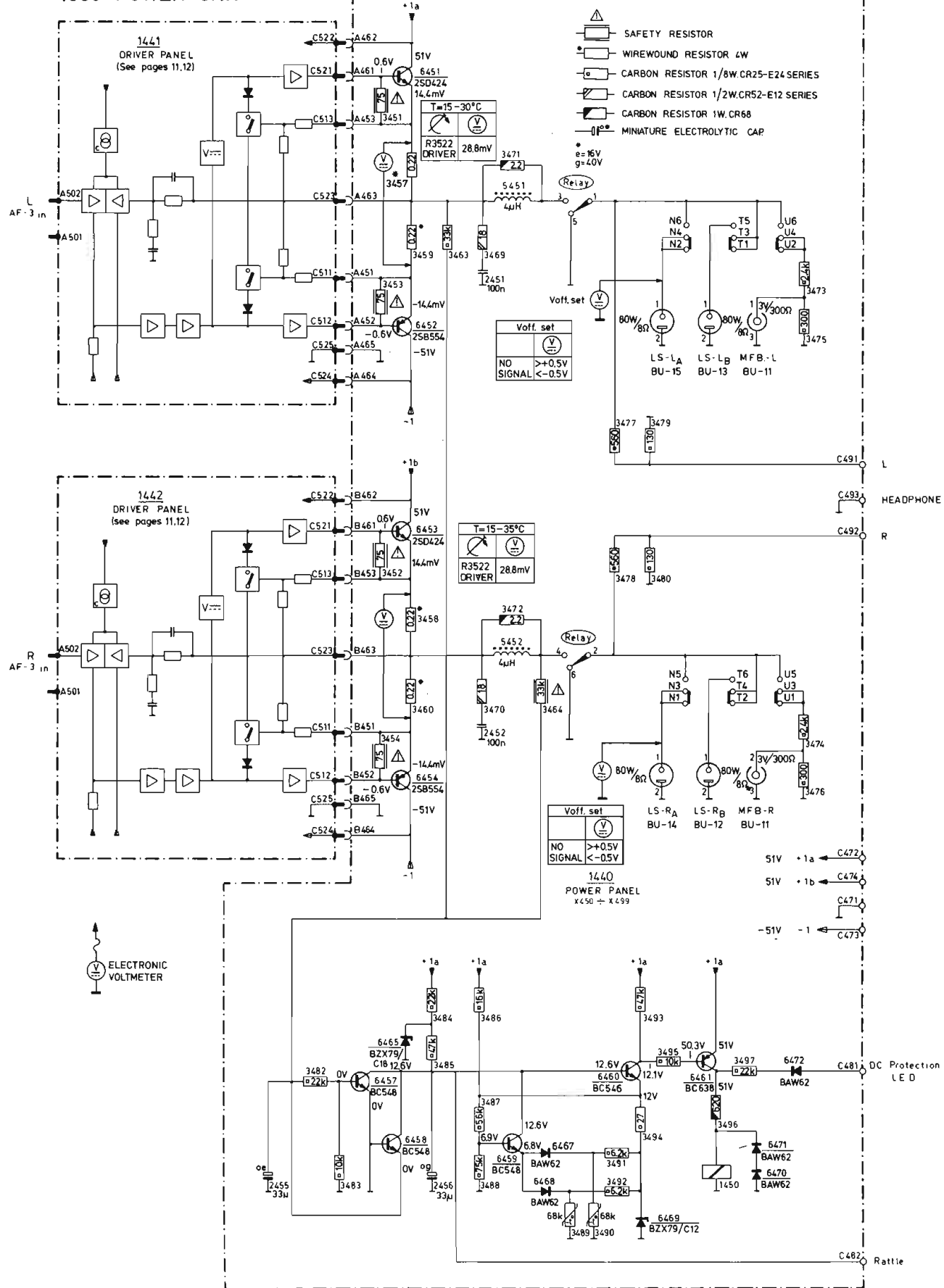






MISC	1441,1442	TS6457,6458,6451...6454, D6465, L5451, S452, TS6459, D6467...6469, TS6460, 6461, 1450, BU-11...15, D6470...6472
C	2450	2456 2451,2452
R	3482,3483,3451...3454,3457...3460,3463,3484...3488,3469...3472,3469,3489...3494,3477...3480,3495...3497,3473...3476	

1003 POWER UNIT



R	C	TS	D
3476	3497	3464	6472, 6457, 6458
3475	3495		
3492	3483	2456	6458, 6459, 6460, 6457
3489	3485	3490	6465, 6469
3487	3484		
3494	3486	2455	
3453	3451		
3459	3460		
3469			
3470			
3472			
3471			
3457	3458		
3451			
3480	3452		6451, 6453
3479			
3478	3454		
3477			
3473			6470, 6471
3474			

6461  
e=51 V  
b=50.3 V  
c=51 V

6459  
e=6.8 V  
b=6.9 V  
c=12.6 V

6460  
e=12 V  
b=12.6 V  
c=12.1 V

6452  
e=14.4 mV  
b=0.6 V  
c=51 V

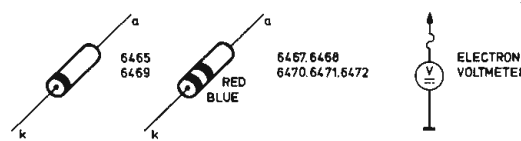
6451  
e=14.4 mV  
b=0.6 V  
c=51 V

6458  
e=0 V  
b=0 V  
c=12.6 V

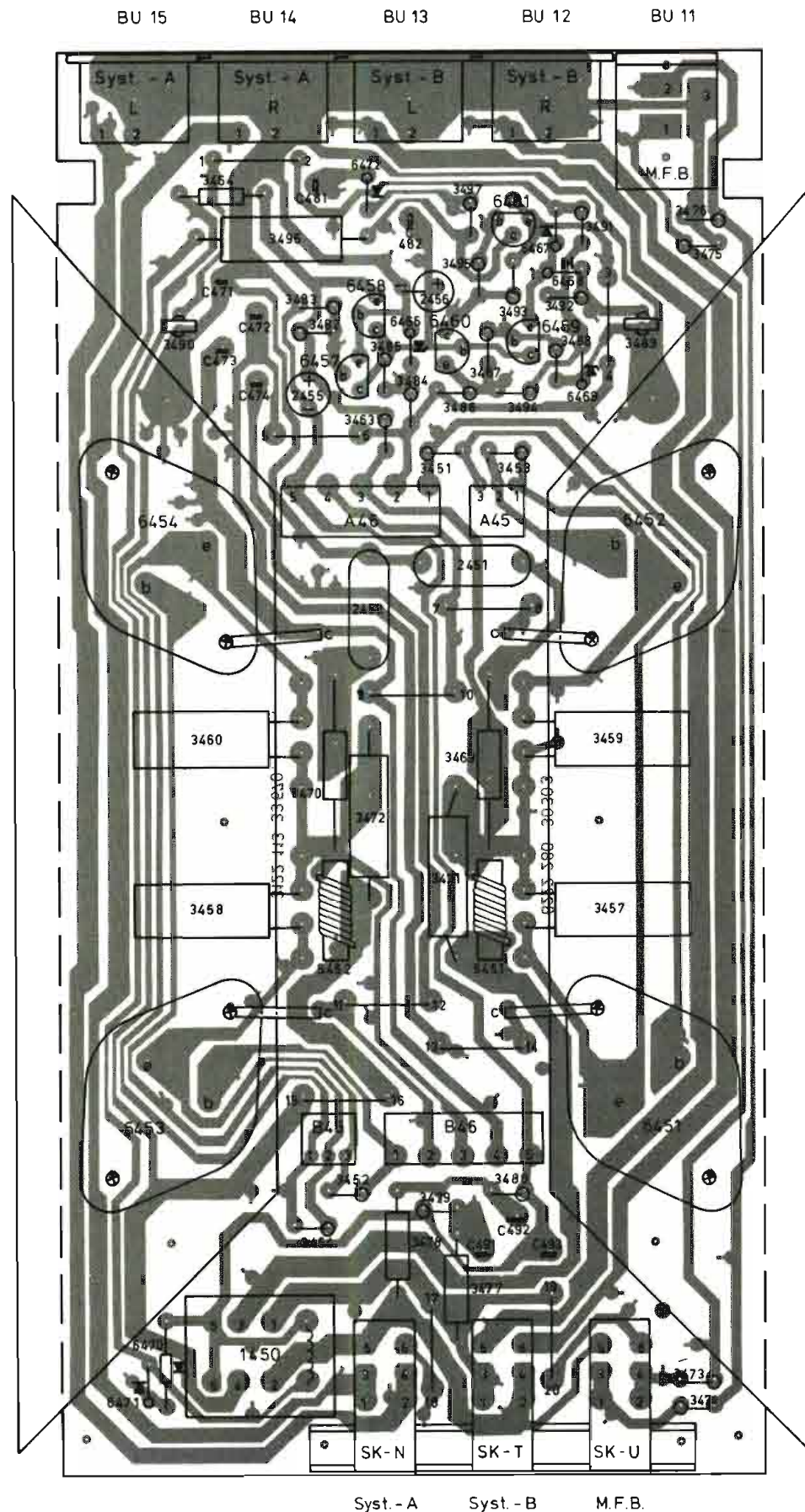
6454  
e=14.4 mV  
b=0.6 V  
c=51 V

6453  
e=14.4 mV  
b=0.6 V  
c=51 V

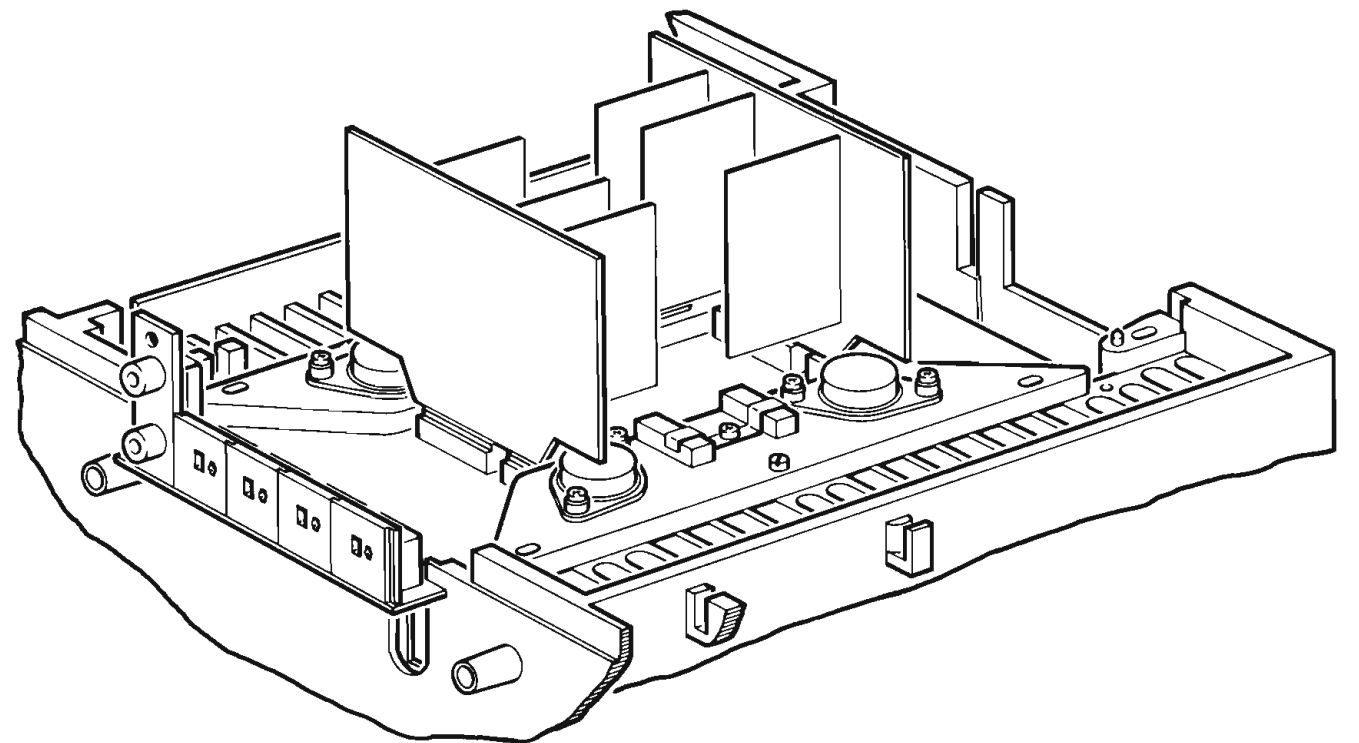
To be mounted at a certain height from the print.  
3469, 3470, 3471, 3472, 3477, 3478, 3496



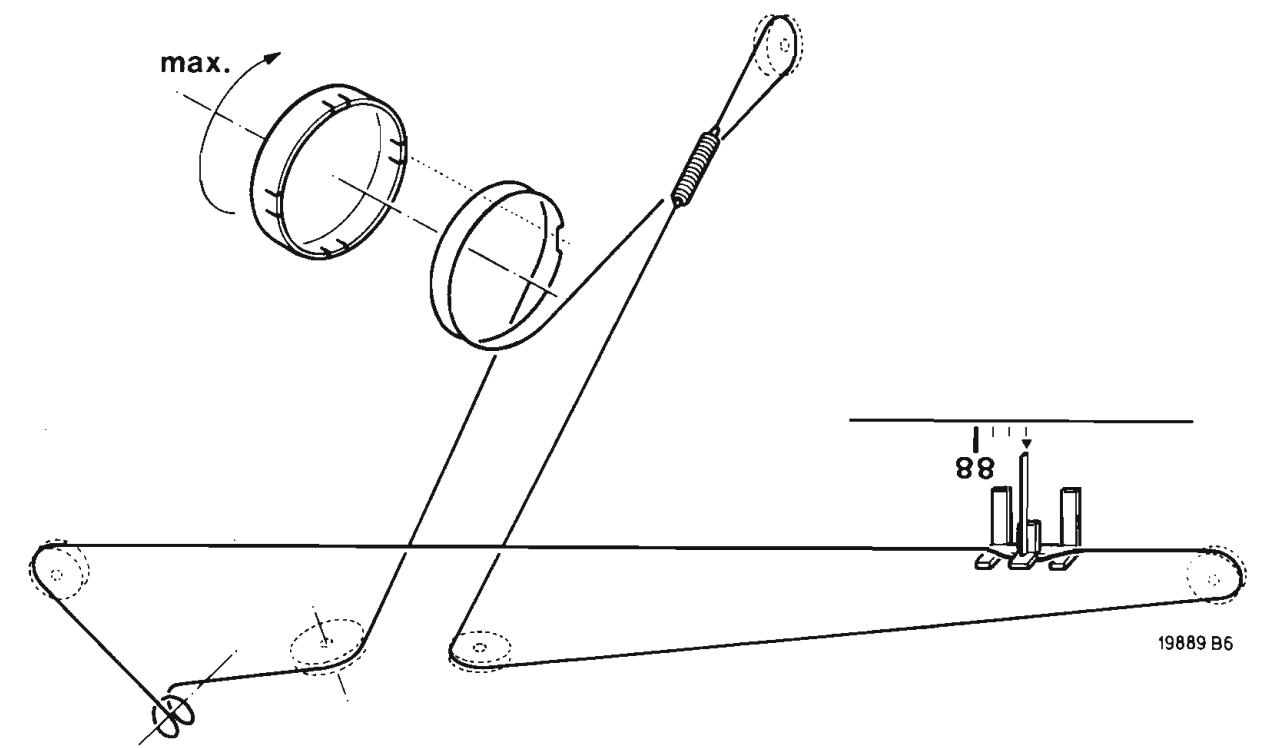




R	C
3464	3497
3491	3476
3496	3475
3495	3475
3483	3492
3482	2456
3490	3489
3488	3489
3485	3489
3487	2455
3484	2455
3486	3494
3463	3494
3451	3453
	2451
	2452
3460	3459
3469	3459
3470	3472
3471	3471
3458	3457
3452	3480
3479	3479
3454	3478
	3477
	3473
	3474

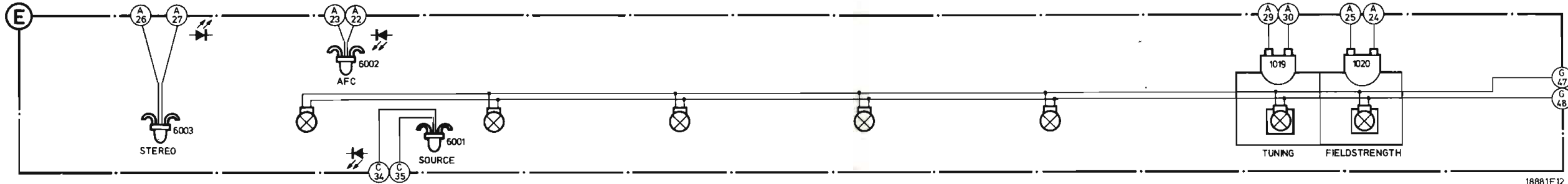
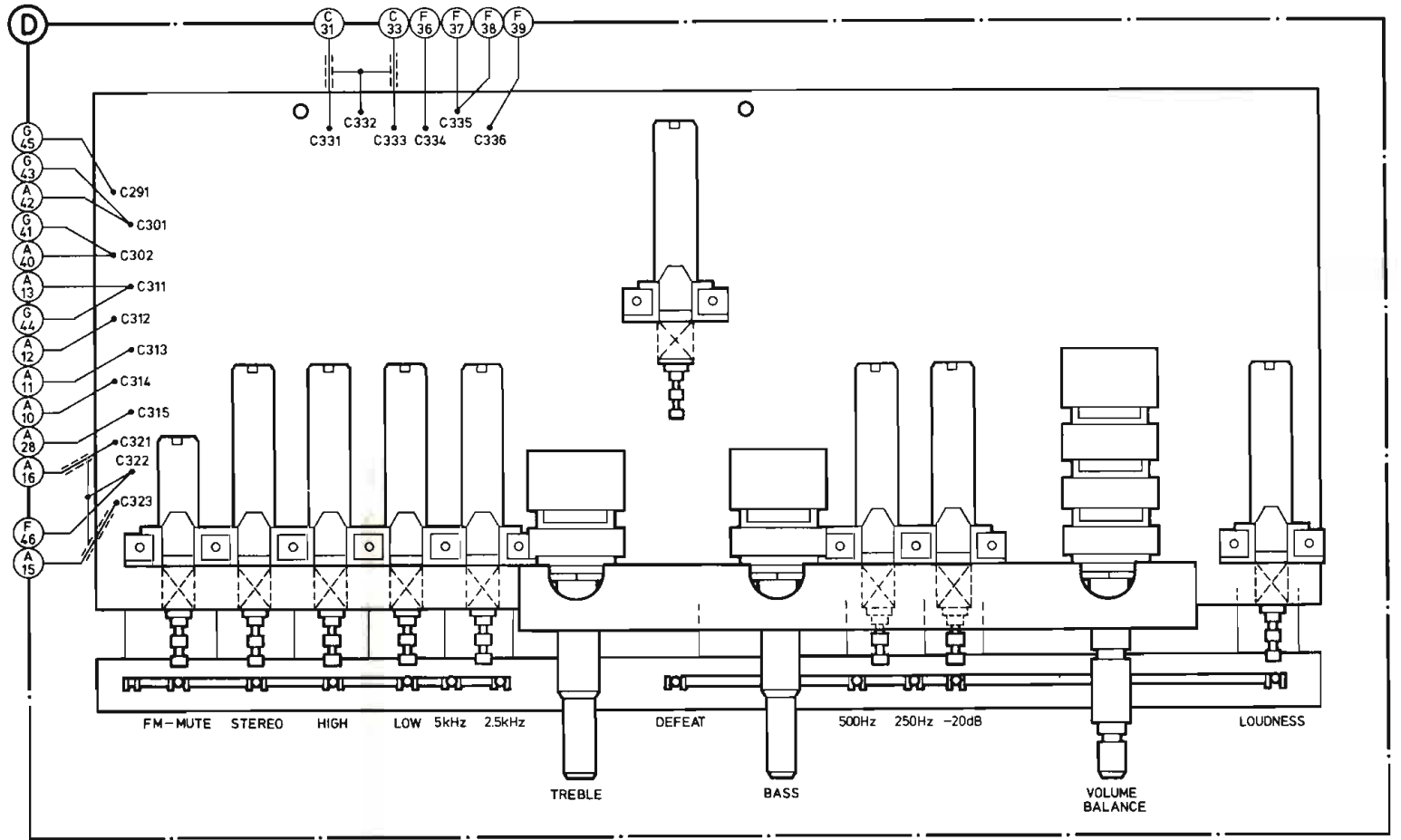
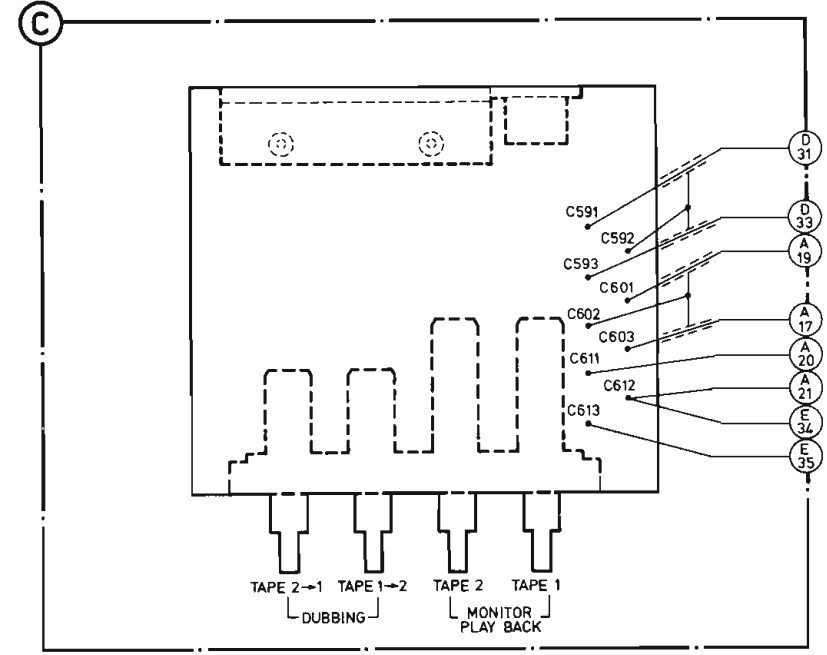
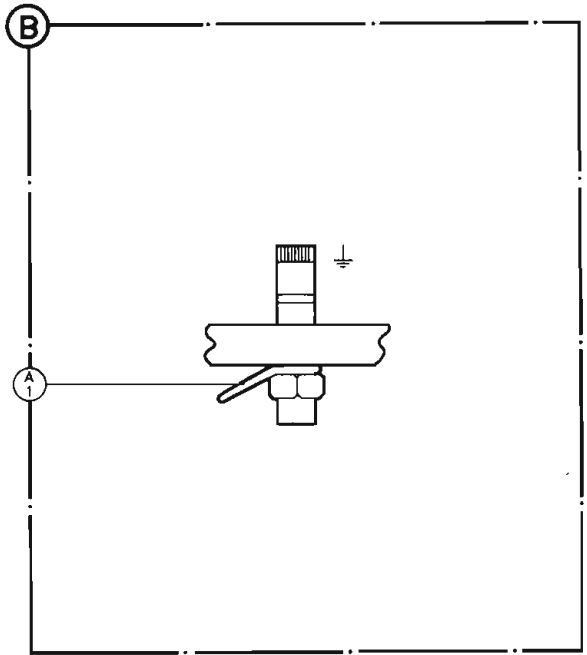
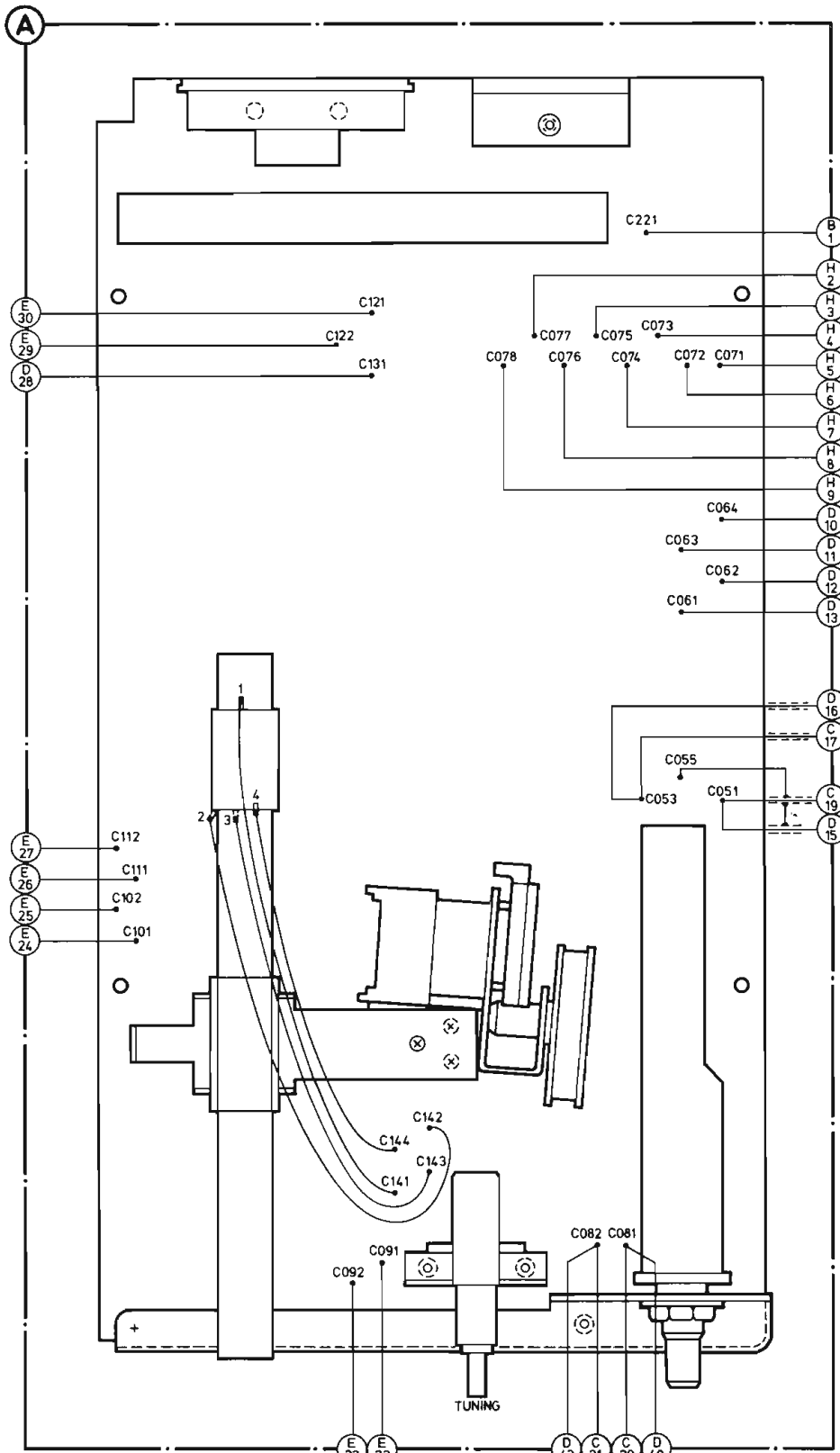


19790B12

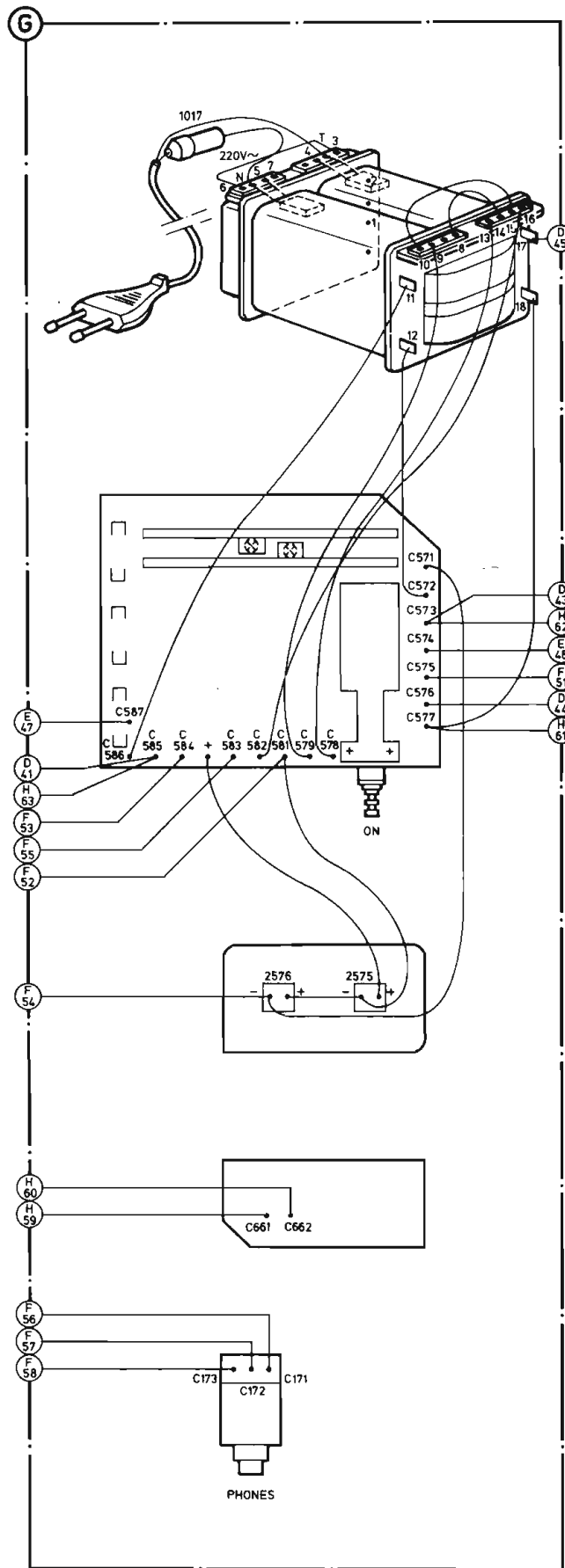
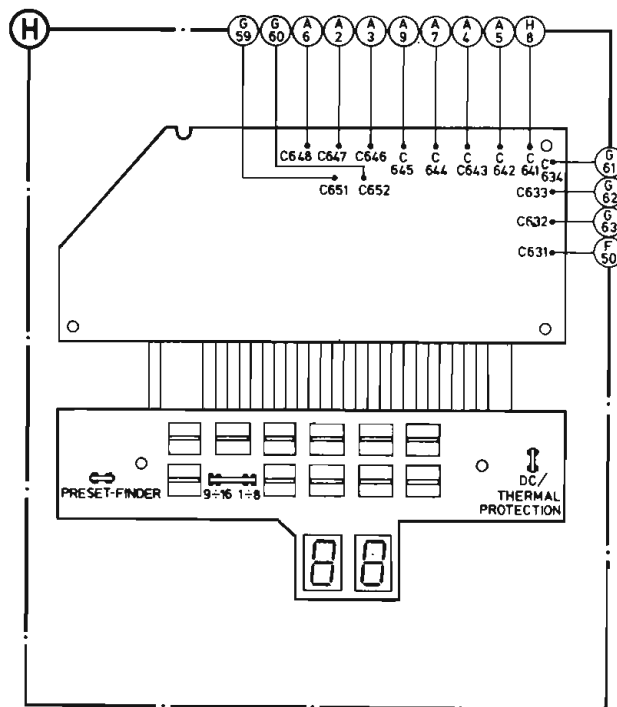
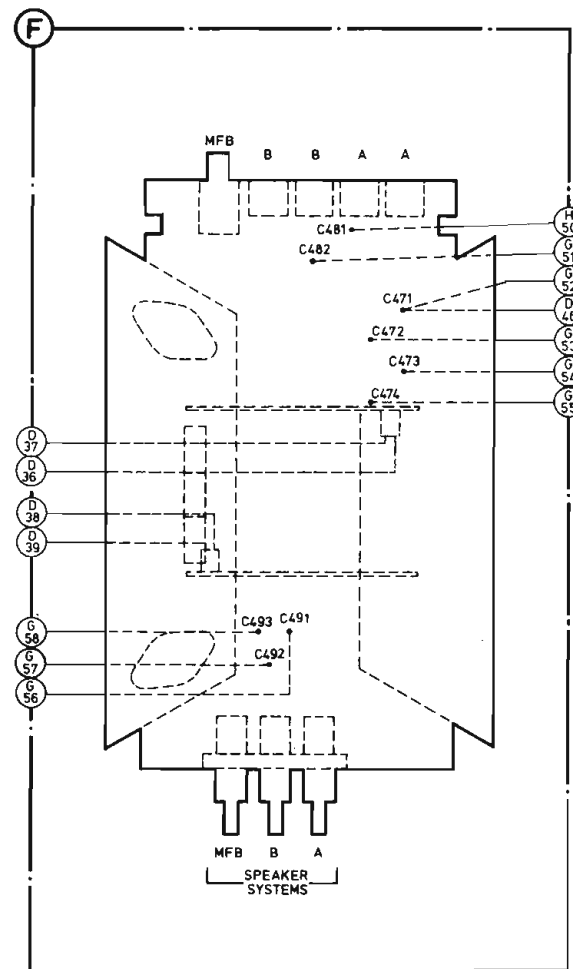


To be mounted at a certain height from the print.  
3469, 3470, 3471, 3472, 3477, 3478, 3496.

19656012







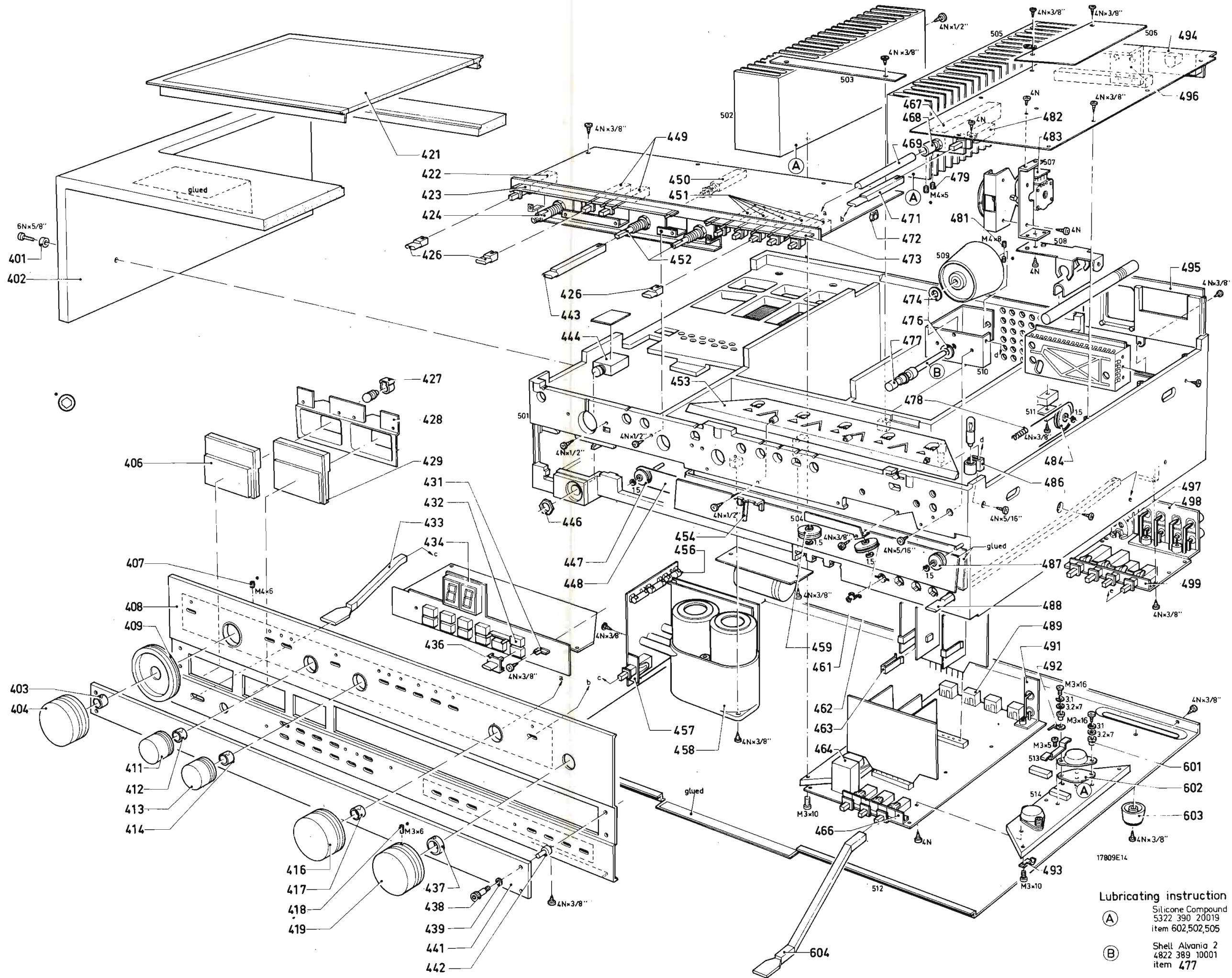
17817D12

401	4822 532 51052
402	4822 426 40173
403	5322 492 60964
404	4822 413 51025
406	4822 347 10238
407	4822 502 11109
408	4822 426 50391*
409	4822 532 10778
411	4822 413 40839
412	5322 492 60964
413	4822 413 40839
414	5322 492 60964
416	4822 413 40838
417	5322 492 60964
418	4822 502 11107
419	4822 413 40841
421	4822 458 50252
422	4822 276 10734
423	4822 256 90289
424	4822 102 10146
426	4822 410 22211
427	4822 255 10151
428	4822 256 90293
429	4822 347 10237
431	4822 256 90288
432	4822 276 10717
433	4822 278 90381
434	4822 130 90017
436	4822 410 22212
437	4822 532 60676

438	4822 267 30317
439	4822 532 51096
441	4822 466 70368
442	4822 532 51109
443	4822 410 22213
444	4822 267 30324
446	4822 505 10571
447	4822 528 80155
448	4822 321 30215
449	4822 276 20254
450	4822 276 10734
451	4822 276 50262
452	4822 102 30316
453	4822 256 90292
454	4822 450 80627
456	4822 492 60063
457	4822 276 10735
458	4822 404 20295
459	4822 528 80186
461	4822 256 90201
462	4822 528 80186
463	4822 492 61976
464	4822 280 80384
466	4822 276 30255
467	4822 273 80229
468	4822 404 10517
469	4822 535 91123
471	4822 410 22213
472	4822 256 30142
473	4822 256 90291

474	4822 532 51059
476	4822 532 51059
477	4822 535 91125
478	4822 492 31225
479	4822 502 11173
481.	4822 502 11111
482	4822 276 10692
483	4822 125 30016
484	4822 528 80186
486	4822 255 10151
487	4822 528 80155
488	4822 410 22214
489	4822 267 30264
491	4822 267 30318
492	4822 290 30175
493	4822 492 62102
494	4822 265 40145
495	4822 460 10431
496	4822 267 40341
497	4822 267 40325
498	4822 267 50284
499	4822 276 40246
601	4822 532 50143
602	5322 466 90433
603	4822 462 71121
604	4822 278 90379

\* not for /28



**Lubricating instruction**

(A) Silicone Compound  
5322 390 20019  
item 602,502,505

(B) Shell Alvania 2  
4822 389 10001  
item 477



-Miscellaneous-		
1015	Mains transformer	4822 146 20567
	Fuse in 1015	
1017	Fuse 2,5 AT	4822 253 30026
1019	IND. tuning	4822 347 10237
1020	IND. Field strength	4822 347 10238
1023,1024	Lamp IND. 6 V - 100 mA	4822 134 40326
1025, 1026-1029	Lamp dial 6,3 V-250 mA	4822 134 40007
6001,6002	LED CQY54-II	4822 130 31128
6003	LED CQY95	4822 130 30923

## 1001

## RF UNIT

1041	FM tuner	4822 210 10207
1042	Ferroceptor	4822 158 60412
1046, 1047,1048	Gang cap+potm. comb.	4822 125 30016
1055	Rec. cond. monitor	4822 218 10122
1056	M.D. pre-amp.	4822 218 10124



Plate cap		
2051	3,9 pF±0,25 pF - 100 V-NP0	4822 122 31043
2052,2053, 2058	22 nF,-20+80% - 63 V	4822 122 30103
2060,2063	68 pF-2%-63 V-N220	4822 122 31321
2056,2082, 2068	10 nF,-20+80% -63 V	4822 122 30043
2061,2062	2,2 pF±0,25 pF-NP0	4822 122 31315
2064,2065	39 pF-2%-100 V-N750	4822 122 31323
2071	330 pF-2%-100 V-N750	4822 122 31322
2126,2133	47 pF-2%-100 V-N750	4822 122 31324
2143	10 pF ± -0,25 pF - ferroperm	4822 122 31333
2151	120 pF-3% -63 V-N220	4822 122 31319
2190,2194 2198,2202	82 pF-2%-100 V-NP0	4822 122 31318
2191,2193 2199,2201	270 pF-2%-100 V-N750	4822 122 31168
2192	39 pF-2%-500 V-N1500	4822 122 31327
2196	22 pF-2%-500 V-N1500	4822 122 31326
2200	12 pF-2%-500 V-N1500	4822 122 31325

## Flat cap

2080,2142 2153	47 nF-20%-400 V	4822 121 40239
2097,2098	5.6 nF-20%-630 V	4822 121 40402
2109,2114 2131,2134 2138	100 nF-20%-250 V	4822 121 41161

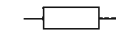
## Elcos

2111,2072 2086	2,2 μF-63 V	4822 124 40244
2083,2088	10 μF-40 V	4822 124 40222
2107	33 μF-25 V	4822 124 40205
2139	47 μF-10 V	4822 124 40177
2173,2174	10 μF-16 V	4822 124 40187
2176	33 μF-25 V	4822 124 40205
2181,2182	1,5 μF-50 V	4822 124 20828

## Micro poco

2075,2076	6,8 nF-5%	4822 121 50538
2081	7,4 nF-5%	5322 121 54149
2089	560 pF-2%	4822 121 50576
2131	3 nF-5%	4822 121 50414
2147	180 pF-1%	5322 121 54057
2148	200 pF-1%	4822 121 50532

2127,2128 2144,2150	Trimmer 22 pF	4822 125 50045
------------------------	---------------	----------------



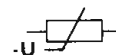
3070,3088 3113	Trim. pot. 4,7 kΩ	4822 100 10036
3075	Trim. pot. 10 kΩ	4822 100 10035
3087,3232	Trim. pot. 47 kΩ	4822 100 10079
3105	Trim. pot. 1 kΩ	4822 100 10037
3107	Trim. pot. 2,2 kΩ	4822 100 10029
3135	Trim. pot. 1 MΩ	4822 100 10089

## Met. film resistors

3064	100 Ω - SFR25	5322 116 54852
3086	100 kΩ-SFR25	4822 116 51123
3099,3114	17,8 kΩ-MR25	5322 116 54637
3136	4,3 kΩ-MR25	5322 116 54594
3137	8,2 kΩ-MR25	5322 116 54558
3138	510 Ω-MR25	5322 116 54525
3144	12 kΩ-MR25	5322 116 50572
3145	9,1 kΩ-MR25	5322 116 55277
3152	220 Ω-SFR25	4822 116 51216
3153	18 kΩ-MR25	5322 116 54638
3154	5,36 kΩ-MR25	5322 116 54597



3142	56 Ω-SR68	4822 111 50298
------	-----------	----------------



3212	VDR	4822 116 20073
------	-----	----------------



5050	Aerial transformer	4822 146 30324
5051	Choke	4822 152 20494
5052,5053 5080,5083	IF coil FM	4822 156 30692

5055	Filter 19 kHz	4822 156 20743
5057	MPX 38 kHz	4822 156 10465
5059	Choke 100 μH	4822 156 30581
5060	Choke 1000 μH	4822 157 50975
5058,5061	Aer coil AM	4822 156 30693
5063	Rejection coil	4822 156 10457
5064	Absorption coil	4822 156 10458
5066	Osc. coil MW	4822 156 30691
5067	Osc. coil LW	4822 156 30689
5070	IF coil prim.	4822 156 30577
5072	Cer. resonator 468 kHz	4822 242 70278
	Cer. resonator 452 kHz	4822 242 70255

5074	IF coil sec.	4822 156 30578
5076	Choke	4822 156 20743



6050	TCA420A FM/IF	4822 209 80278
6051	TDA1005A PLL Dec.	4822 209 80514
6052	TCA750 Stab.	4822 209 80367
6055	TBA570A AM/IF	4822 209 80358



6064,6066 6069,6070, 6076	BC558	4822 130 40941
6067,6083	BC548	4822 130 40938
6072	BD135	4822 130 40645
6073	BC637	4822 130 41041
6075	BC337	4822 130 40855
6078	BF245 FET	4822 130 20051



6095,6102 6103,6110, 6111,6114	BAW62	4822 130 30613
6115		
6104,6105	BAX18	4822 130 34121
6107,6108	BA223	4822 130 31145
6098	BZV38	4822 130 30947
6099	BZX79-C7V5	4822 130 30861

## 1002

## TONE CONTROL PANEL

-Miscellaneous-		
1291...1294	Duo potm. 2x20 kΩ+ 2x50 kΩ	4822 102 10146
1297...1300	Potm. alps 2x50 kΩ	4822 102 30316
1305	Fuse 315 mA	4822 253 30014



Plate cap		
2295,2296 3449,2350	82 pF-2%-100 V-NP0	4822 122 31318
2355-2357	22 nF-20+80%-63 V	4822 122 30103

## Elcos

2293,2294 2305,2306 2309-2312, 2327-2330, 2347-2348	10 μF-16 V	4822 124 40187
2353	330 μF-25 V	4822 124 40212
2354	1000 μF-40 V	4822 124 20795

## Micro poco

2321-2324	1,2 nF-5%	4822 121 50439
2339,2340	5,6 nF-5%	4822 121 50543
2345,2346	2,7 nF-5%	5322 121 54065



3353,3354	100 kΩ-SFR25	4822 116 51123
-----------	--------------	----------------



6291,6292 6295,6296 6299,6300 6297,6298	BC559	4822 130 40963
6303,6304 6309	BC548	4822 130 40938
6301,6302 6307,6308	BC558	4822 130 40941



6311	BY164	4822 130 30414
6313-6323	LED CQY54-II	4822 130 31128

## 1003

## POWER UNIT

## 1440

## POWER PANEL

Miscellaneous		
1450	Relay	4822 280 80384
3451-3454	SAF. res. SR25-75 Ω	4822 111 30454
3464	Met. film SFR25-33 kΩ	4822 116 51217
3457-3460	0,22 Ω-4 W WW-Res.	4822 115 10043
3489,3490	NTC 68 kΩ	4822 116 30188
5451,5452	Coil 4 μH	4822 157 50718
2451,2452	Poly. 100 nF-20%-100 V	4822 121 40334



6451/6452 6453/6454	Pair 2SD424/2SB554	4822 130 41392
6457,6458, 6459	BC548	4822 130 40938
6460	BC546	4822 130 41001
6461	BC638	4822 130 41087
6465	BZX79/C18	4822 130 31024
6467,6468 6470-6472	BAW62	4822 130 30613
6469	BZX79/C12	4822 130 34197



## 1441,1442

## DRIVER PANEL

-II-		
2500	680 pF-5% micro poco	5322 121 54174
2507,2501	270 pF-2%-100 V-N750	4822 122 31335
2503	56 pF-2%-63 V-N220	4822 122 31074
2505	22 nF-20+80%-63 V	4822 122 30103
2506	18 pF-2%-100 V-NP0	4822 122 31061
2508	100 nF-20%-250 V	4822 122 41161
2512,2513	47 nF-20%-100 V poly	4822 121 40336
2516	Elco 100 μF-63 V	4822 124 20735

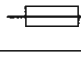




3522	Trim. pot. 470 Ω	4822 100 10023
3548,3549, 3552	SAF. Res. 10 Ω-SR37	4822 111 30114
3550,3551	SAF. Res. 1,5 Ω-SR25	4822 111 30217
3508,3509	SAF. Res. 47 Ω-SR37	4822 111 30006

		
6500	BC556	4822 130 40989
6501,6502	BC556A	5322 130 44462
6504,6506 } 6510	BC548	4822 130 40938
6507	2SD668	4822 130 41394
6511	BC558	4822 130 40941
6514,6515	Pair 2SD669/2SB649	4822 130 41393
		
6525	BZX79/C24	5322 130 34398
6527,6528	BZX79/C2V4	4822 130 31253
6530	BAX18	4822 130 34121

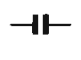
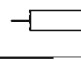
## 1004

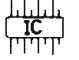

## SUPPLY PANEL


		
1570,1571	4 AT	4822 253 30038
1572	1,6 AT	4822 253 30024
		
2570	Pol. cap. 100 nF-20% - 250 V	4822 121 40518
2571,2572, } 2574	Pol. cap. 47 nF-20% - 100 V	4822 121 40336
2575,2576	Elco 10000 $\mu$ F-63 V	4822 124 20897
		
6570,6571	BYX72-300	5322 130 34262
6572,6573	BYX72-300R	5322 130 34261
6575	BY206	4822 130 30839

## 1006

## VOCOM + DISPLAY PANEL

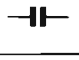
Miscellaneous		
1630,1631	Display TLG308	4822 130 90028
		
2632	Plate cap. NPO-100 V 100 pF-2%	4822 122 31316
2636	Elco 4700 $\mu$ F-16 V	4822 124 20782
2638	Plate cap. 22 nF-63 V -20+80%	4822 122 30103
2639,2643	Elco 35 V/T14-47 $\mu$ F	4822 124 40215
2642	Elco 25 V/T13-33 $\mu$ F	4822 124 40205
		
3648	18 k $\Omega$ -MR25	5322 116 54638
3650	33 k $\Omega$ -MR25	5322 116 50482
3651	100 k $\Omega$ -MR25	5322 116 54696
3657,3658	140 k $\Omega$ -MR25	5322 116 54259
3661...3674 } 3716	20 k $\Omega$ -MR25	5322 116 54642
3677...3688	10 k $\Omega$ -MR25	5322 116 54619
3694,3695	47 $\Omega$ -SFR25	4822 116 51218
3717	24 k $\Omega$ -MR25	5322 116 54647
3652,3718	Trimpotm. 4.7 k $\Omega$	4822 100 10036

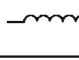
		
6630	NE 532N	4822 209 80484
6631	LM 324N	5322 209 85899
6632	HEF 4016BP	5322 209 14119
6633	LM 211N	4822 209 80537
6634	HEF 4040BP	5322 209 14269
6635	SAA 1089P	4822 209 80538
6636	SN 29764-AN-00	4822 209 80345
		
6640,6643	BC558	4822 130 40941
6641,6645. } 6647	BC548	4822 130 40938
6646	BC635	5322 130 44349


		
6650...6653	LED CQY54-II	4822 130 31128
6655...6657 } 6659...6661 } 6663	BAW62	4822 130 30613
6662	BZX79C13	4822 130 34195
6664	BZX79C5V6	4822 130 34173
6665	BZX79C16	5322 130 34268


## 1041

## FM-TUNER

		
Plate ceramic cap.		
2952,	10 pF-2%-100 V-NPO	4822 122 31054
2955,2953 } 2963	22 pF-2%-100 V-NPO	4822 122 31313
2956	82 pF-2%-100 V-N1500	4822 122 31309
2950	12 pF-2%-100 V-NPO	4822 122 31056
2964	270 pF-2%-100 V-N1500	4822 122 31331
2965	22 nF-20+80%-63 V	4822 122 30103
2968,2966	4,7 nF-20+80%-63 V	4822 122 31125
2974,2972 } 2984,2983 } 2987	150 pF-2%-100 V-N1500	4822 122 31308
2977	2,7 pF+0,25P-100 V-NPO	4822 122 31328
2978	18 pF-2%-100 V-N150	4822 122 31314
2979	6,8 p F+0,25P-100 V- N330	4822 122 31329
2957,2980	15 pF-2%-100 V-NPO	4822 122 31058
2981	18 pF-2%-100 V-NPO	4822 122 31061
2989	4,7 nF-20+80%-63 V	4822 122 31125
2958,2951	Trimmer 10 pF	4822 125 50062

		
5950	Cer. filter 10,7 MHz	4822 242 70295
5954	Aerial-coil	4822 157 50896
5955	Choke	4822 157 51057
5956	RF-coil	4822 157 50973
5958	Coupling coil	4822 157 30204
5959	Absorption coil	4822 157 30205
5961	Osc. coil	4822 157 50895

		
6955,6950	BF324	5322 130 44396
6951,6953	BF494	4822 130 44195
6956	BC548C	4822 130 44196

		
6969...6962	BB204B	4822 130 34449



# Service mededeling

PHILIPS NEDERLAND B.V. - EINDHOVEN  
TECHNISCHE SERVICE

Ref. 414 PH      Type 22 AH 708      Datum juni 1981

Onderstaande wijzigingen zijn ingevoerd.

VOCOM + DISPLAYPANEEL 1006

D 6600 en D 6663 zijn gewijzigd in BAX 12, bestelnummer 5322 130 34605.

RF PANEEL - AM DEEL - 1040 ( zie fig. 1. )

	OUDE	NIEUW	BESTELNUMMER
C2157	270 nF ●●j	82 nF ●●j	
C2158	270 nF ●●j	180 nF ●●j	
C2159	—	4.7 nF ●●j	
C2160	—	10 nF ΔΔj	
R3237	68 kΩ □	12 kΩ □	
R3238	150 kΩ □	22 kΩ □	
R3239	22 kΩ □	150 kΩ □	
R3240	—	12 kΩ □	
TS6083	BC548	BC558	4822 130 40941

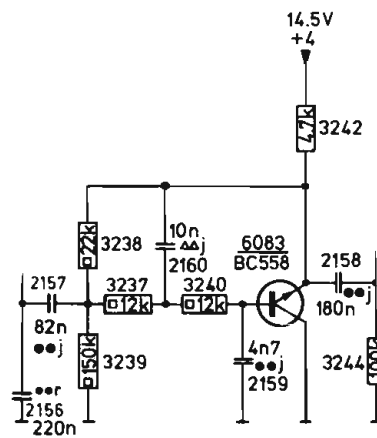


Fig. 1

RF PANEEL - FM DEEL - 1040 (zie fig. 2)

De dikkefilm unit 1055 is gewijzigd, het nieuwe bestelnummer luidt: 4822 218 10137. S 5074 is gewijzigd, hiervoor is het nieuwe bestelnummer: 4822 156 30677.

	OUDE	NIEUW	BESTELNUMMER
C2105	—	150 pF ΔΔj	
R3064	100 Ω Δ	100 Ω □	
R3067	4.7 kΩ □	1.8 kΩ □	
R3078	—	2.2 kΩ □	
R3097	27 kΩ □	100 Ω □	
R3134	—	100 kΩ □	
R3142	56 Ω Δ	47 kΩ Δ	4822 111 50155
R3204	120 Ω □	20 Ω □	
R3206	10 Ω □	10 Ω Δ	4822 111 30405

Vanaf stempel PL 01, zie fig. 2 zijn 2112, 10 nF ΔΔj en R 3160, 470Ω□ toegevoegd.

Vanaf stempel PL 02 zijn de aansluitpunten C 243, C 244 en C 245 toegevoegd voor de aansluiting van de "preset mute" schakeling, zie fig. 2.

FM TUNER 1041

R 3985 is vervallen en S 5959 is gewijzigd, nieuw bestelnummer: 4822 157 50966.

TOONREGELPANEEL 1002

Het hoogfilter is gewijzigd: SK H 9 - 11 en SK H 10 - 12 zijn toegevoegd. Zie fig 3a-b.

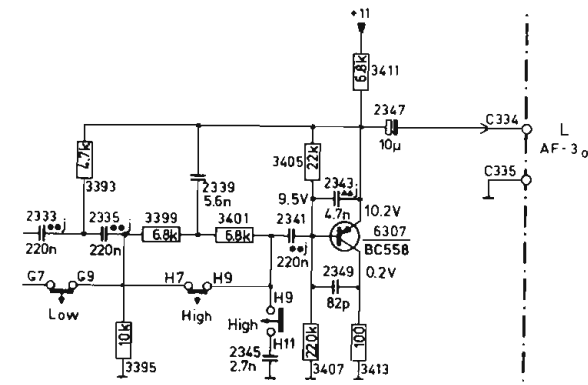


Fig. 3a

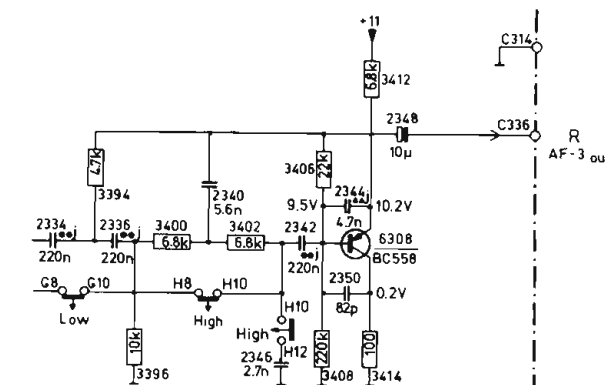


Fig. 3b



MISC	BU1, BU2	1048	1041	6050, 6064, 6072, 6073	6052	6066, 6098, 6099	6067	6095, 1055, 6051	6076, 6075	6069, 6070, 6102...6105			
S	5050	5051		5080	5081	5082, 5052	5083	5055	5057				
C		2051, 2050		2190...2194, 2106, 2196, 2198, 2111, 2199...2202, 2107...2109	2114					2119	2120		
R	3136...3138	3134, 3135	3140	3148...3154, 3141...3145, 3155...3160	308 <sup>h</sup>	3086	3161, 3163...3165	3167...3169, 3172, 3182, 3183, 3110, 3170	3171	3202, 3199, 3201	3204	3206, 3203, 3208	
R	3050		3063	3064	3070, 3071, 3073, 3066, 3082, 3067, 3075...3077	3078, 3087...3090	3093...3096	3104...3108, 3097...3100, 3102, 3103, 3109	3111...3114	3101	3117, 3119...3124	3125...3128	3129, 3130

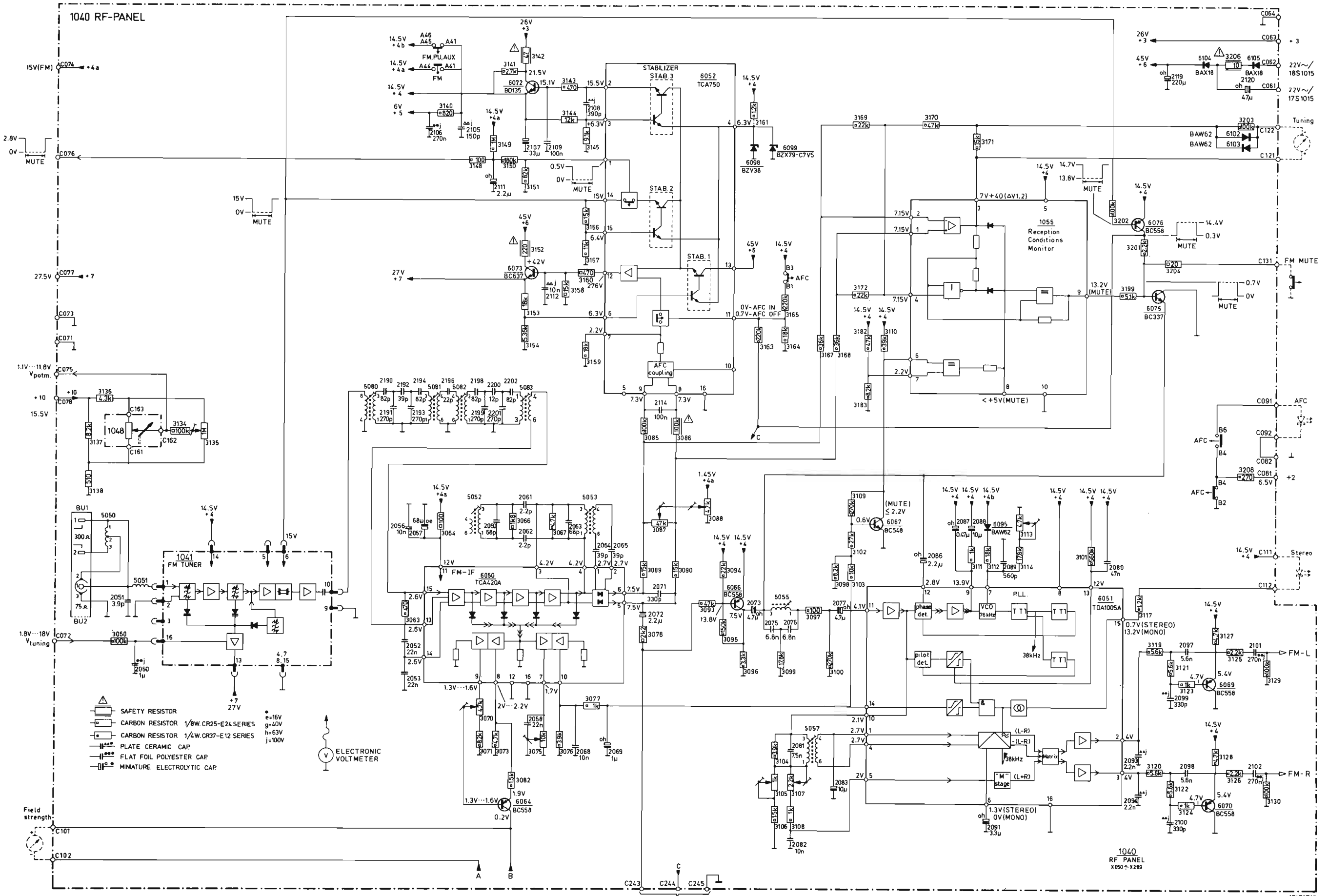


Fig. 2

C293 C294 C295  
TONE CONTROL PANEL



Vanaf stempeling PL 02 (zie fig. 4) is TS 6310 - BC 337 (bestelnummer 4822 130 40855) aan de "preset mute" schakeling toegevoegd.

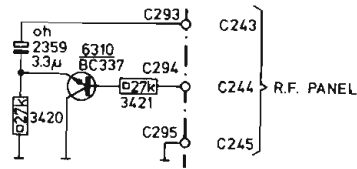


Fig. 4

Ter voorkoming van schakelklikken zijn vanaf stempeling PL 02 de condensatoren C 2305 en C 2306 vervangen door elco's met lage lekstroom, 15 uF - 16V (4822 124 20883).

DRIVERPANEEL 1441

	OUD	NIEUW	BESTELNUMMER
C2500	680 pF	470 pF	5322 121 54078
C2501	270 pF	180 pF $\Delta\Delta j$	
C2503	56 pF	47 pF $\Delta\Delta j$	
C2506	22 pF	18 pF $\Delta\Delta j$	

C 2509, 22 pF  $\Delta\Delta j$  is toegevoegd tussen de voeding - 2 en de collectoren TS 6506.

Het bestelnummer van de smeltveiligheidshouder 1017 luidt: 4822 256 30064.